

Last Name: \_\_\_\_\_ First Name \_\_\_\_\_ Network-ID \_\_\_\_\_

Discussion Section: \_\_\_\_\_ Discussion TA Name: \_\_\_\_\_

**Turn off your cell phone and put it out of sight.**

**Keep your calculator on your own desk. Calculators cannot be shared.**

**This is a closed book exam. You have ninety (90) minutes to complete it.**

1. Use a #2 pencil. Do not use a mechanical pencil or pen. Darken each circle completely, but stay within the boundary. If you decide to change an answer, erase vigorously; the scanner sometimes registers incompletely erased marks as intended answers; this can adversely affect your grade. Light marks or marks extending outside the circle may be read improperly by the scanner. Be especially careful that your mark covers the **center** of its circle.
2. You may find the version of **this Exam Booklet at the top of page 2**. Mark the **version** circle in the **TEST FORM** box near the bottom right on the face of your answer sheet. **DO THIS NOW!**
3. Print your **NETWORK ID** in the designated spaces at the *right* side of the answer sheet, starting in the left most column, then **mark the corresponding circle** below each character. If there is a letter "o" in your NetID, be sure to mark the "o" circle and not the circle for the digit zero. If and only if there is a hyphen "-" in your NetID, mark the hyphen circle at the bottom of the column. When you have finished marking the circles corresponding to your NetID, check particularly that you have not marked two circles in any one of the columns.
4. Print **YOUR LAST NAME** in the designated spaces at the *left* side of the answer sheet, then mark the corresponding circle below each letter. Do the same for your **FIRST NAME INITIAL**.
5. Print your UIN# in the **STUDENT NUMBER** designated spaces and mark the corresponding circles. You need not write in or mark the circles in the **SECTION** box.
6. Sign your name (**DO NOT PRINT**) on the **STUDENT SIGNATURE line**.
7. On the **SECTION line**, print your **DISCUSSION SECTION**. You need not fill in the **COURSE** or **INSTRUCTOR** lines.

*Before starting work, check to make sure that your test booklet is complete. You should have 15 numbered pages plus three Formula Sheets.*

**Academic Integrity—Giving assistance to or receiving assistance from another student or using unauthorized materials during a University Examination can be grounds for disciplinary action, up to and including dismissal from the University.**

**This Exam Booklet is Version A.** Mark the **A** circle in the **TEST FORM** box near the bottom right on the face of your answer sheet. **DO THIS NOW!**

*Exam Grading Policy—*

The exam is worth a total of **106** points, composed of three types of questions.

**MC5:** *multiple-choice-five-answer questions, each worth 6 points.*

**Partial credit will be granted as follows.**

- (a) If you mark only one answer and it is the correct answer, you earn **6** points.
- (b) If you mark *two* answers, one of which is the correct answer, you earn **3** points.
- (c) If you mark *three* answers, one of which is the correct answer, you earn **2** points.
- (d) If you mark no answers, or more than *three*, you earn **0** points.

**MC3:** *multiple-choice-three-answer questions, each worth 3 points.*

**No partial credit.**

- (a) If you mark only one answer and it is the correct answer, you earn **3** points.
- (b) If you mark a wrong answer or no answers, you earn **0** points.

**MC2:** *multiple-choice-two-answer questions, each worth 2 points.*

**No partial credit.**

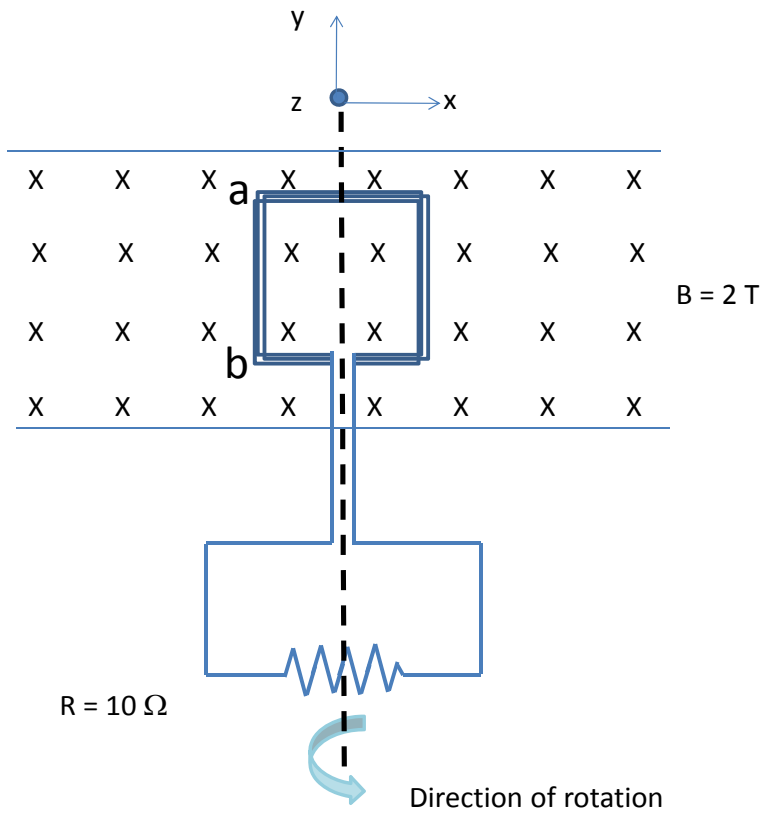
- (a) If you mark only one answer and it is the correct answer, you earn **2** points.
- (b) If you mark the wrong answer or neither answer, you earn **0** points.

Some helpful information:

- A reminder about prefixes: p (pico) =  $10^{-12}$ ; n (nano) =  $10^{-9}$ ;  $\mu$  (micro) =  $10^{-6}$ ; m (milli) =  $10^{-3}$ ; k (kilo) =  $10^{+3}$ ; M or Meg (mega) =  $10^{+6}$ ; G or Gig (giga) =  $10^{+9}$ .

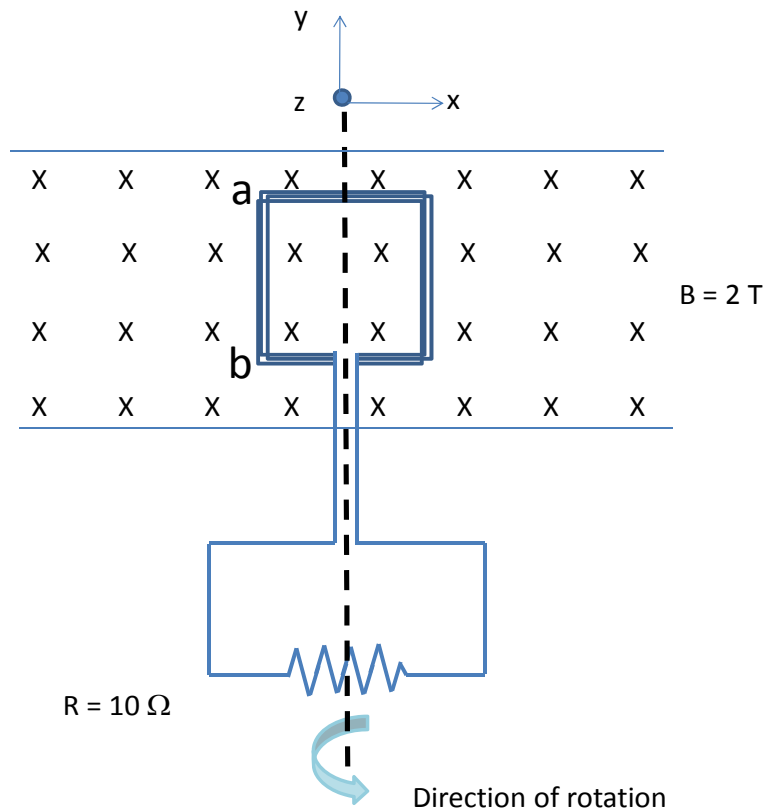
*The next three questions pertain to the following situation.*

A coil consisting of 5 square turns connected in series rotates at 60 revolutions per second ( $\omega = 2\pi 60$  radians per second). The magnetic field  $B = 2$  T points in the  $-z$  direction (into the page). At  $t = 0$ , the plane of the coil lies in the  $x$ - $y$  plane; a side of the coil is labeled with points “a” and “b.” The rotation is around the  $y$  axis, such that at  $t=0$  side a-b is moving out of the page. The loops have an area of  $100 \text{ cm}^2$  and no resistance of their own. A  $10 \Omega$  resistor is connected across the coils as shown.



1. At  $t = 0$ 
  - a. the current flows clockwise, directly from point b to point a.
  - b. the current flows counterclockwise, directly from point a to point b.
  - c. the current is zero.
  
2. The maximum value of the current is
  - a. 0 A
  - b. 1.00 A
  - c. 2.56 A
  - d. 100.53 A
  - e. 3.77 A

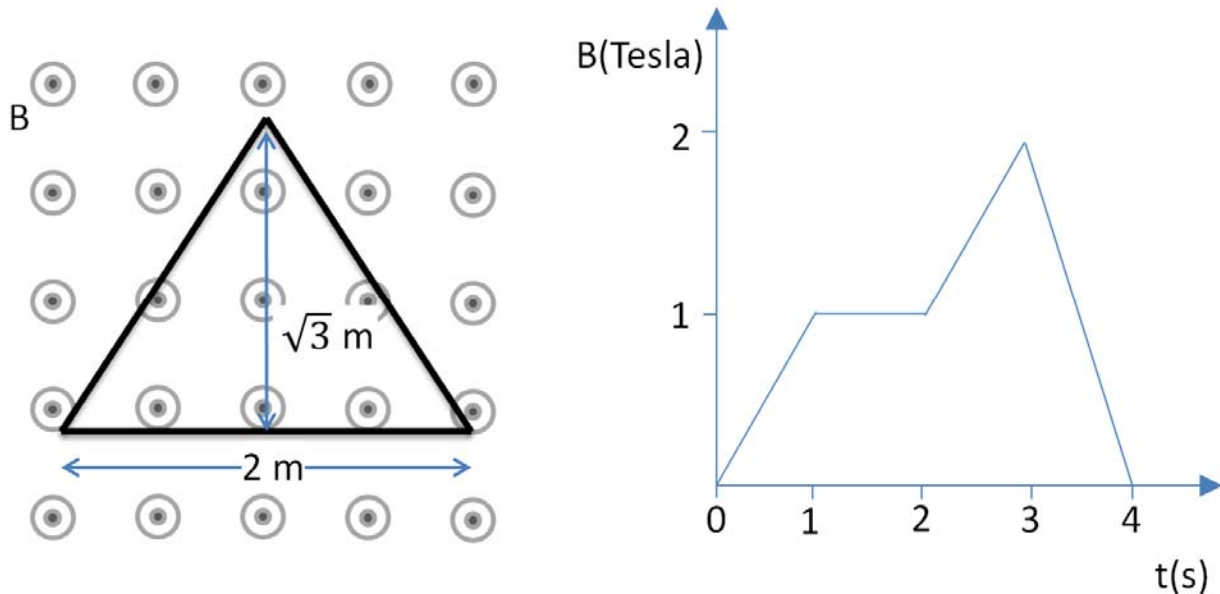
*The next question continues from the previous page.*



3. Once the coil has rotated forward by  $45^\circ$
- the current flows clockwise, directly from point b to point a.
  - the current flows counterclockwise, directly from point a to point b.
  - the current is zero.

*The next two questions pertain to the following situation.*

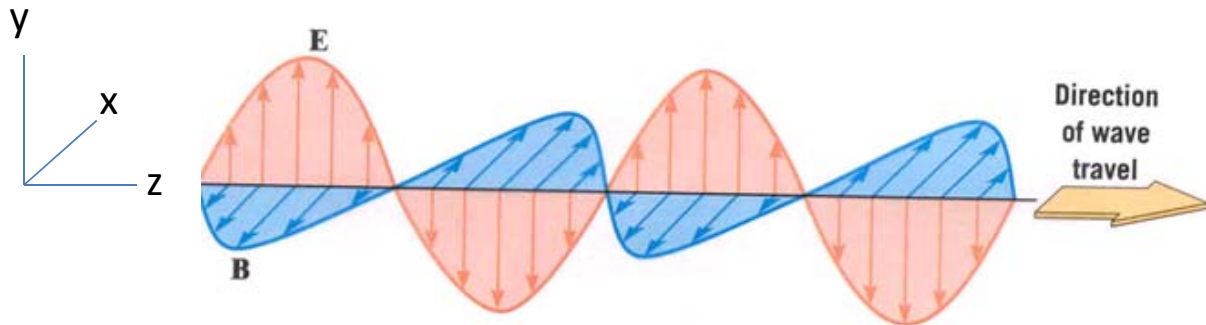
A triangular conducting coil lies in a uniform magnetic field  $B$  which varies in time as shown in the graph of  $B$  (Tesla) versus  $t$  (seconds). At  $t = 1$  s, the magnetic field is pointing out of the page. The triangle has height  $h = \sqrt{3}$  m, and the base of the triangle has length  $L = 2$  m.



4. Which statement best represents the situation at  $t = 3.5$  s?
- The magnitude of the induced emf is 4.5 V, and the current flows counterclockwise.
  - The magnitude of the induced emf is 4.5 V, and the current flows clockwise.
  - The magnitude of the induced emf is 3.5 V, and the current flows counterclockwise.
  - The magnitude of the induced emf is 3.5 V, and the current flows clockwise.
  - There is no induced emf.
5. The current is zero
- between  $t = 1$  s and  $t = 2$  s.
  - at  $t = 0.5$  s.
  - at  $t = 3.5$  s.

*The next three questions pertain to the following situation.*

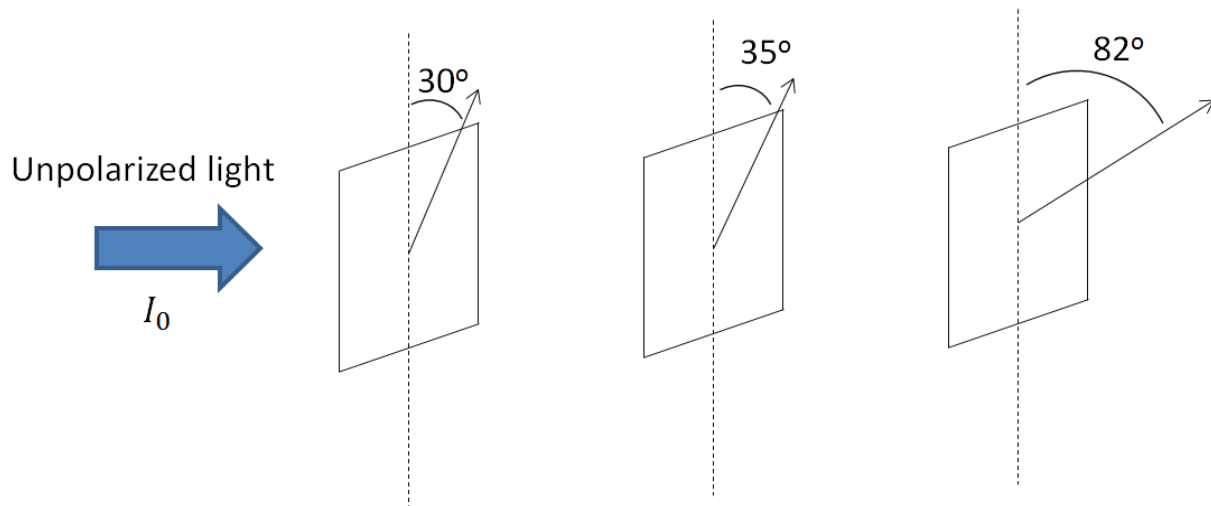
An electromagnetic wave indicated below has wavelength  $\lambda = 420$  nm.



6. This wave is polarized along the
- x axis.
  - y axis.
  - z axis.
7. The frequency of this wave is
- $7.14 \times 10^{14}$  Hz
  - $2.13 \times 10^{14}$  Hz
  - $4.76 \times 10^{14}$  Hz
8. The time it takes for a point on the wave to travel forward 2 m is
- 2.30 ms
  - 6.67 ns
  - 1.75 ps

*The next two questions pertain to the following situation.*

Unpolarized light with intensity  $I_0$  is incident on a series of three polarizers, as shown in the picture below.



9. The intensity after the first polarizer is

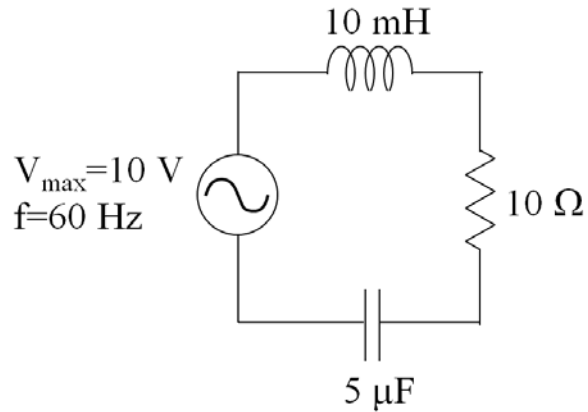
- a.  $0.75 I_0$
- b.  $0.87 I_0$
- c. independent of the angle of the first polarizer.

10. The intensity of the light after the third polarizer is

- a.  $0.05 I_0$
- b.  $0.34 I_0$
- c.  $0.23 I_0$

*The next four questions pertain to the following situation:*

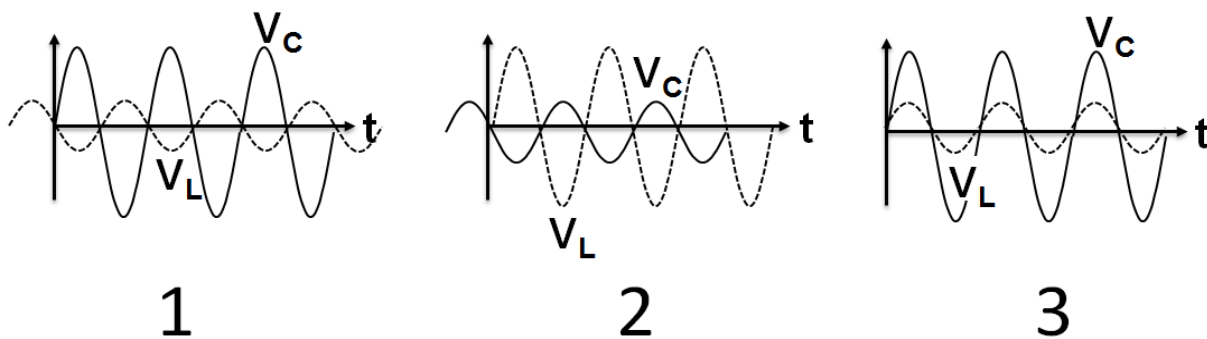
A circuit consisting of a  $10\ \Omega$  resistor,  $10\ \text{mH}$  inductor, and  $5\ \mu\text{F}$  capacitor wired in series is being driven by an AC generator with  $V_{\text{max}}=10\ \text{V}$  at  $f=60\ \text{Hz}$ .



11. What is the impedance  $Z$  of this circuit?

- a.  $10\ \Omega$
- b.  $50\ \Omega$
- c.  $234\ \Omega$
- d.  $265\ \Omega$
- e.  $527\ \Omega$

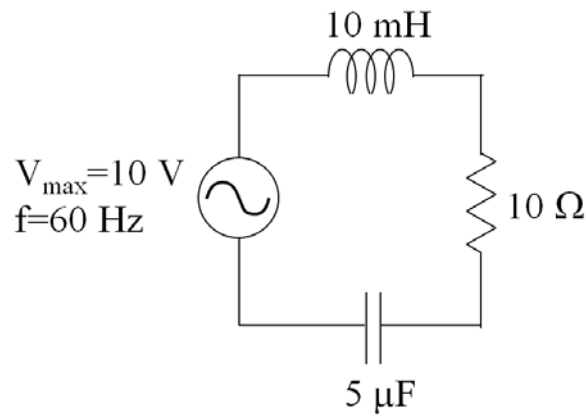
12. Which graph of the voltages across the capacitor and inductor shown below is most accurate? The voltage across the inductor is shown using a dashed line, and the voltage across the capacitor is shown using a solid line.



- a. 1
- b. 2
- c. 3



*The next two questions continue from the previous page.*



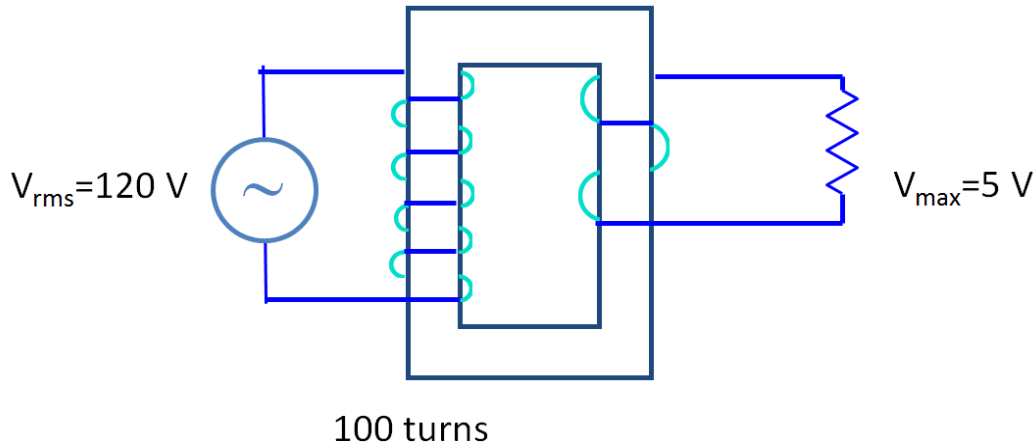
13. What is the resonant frequency of this circuit?

- a.  $1.4 \times 10^{-3} \text{ Hz}$
- b. 60 Hz
- c. 320 Hz
- d. 712 Hz
- e. 956 Hz

14. The resistor will catch on fire if it dissipates more than 0.5 W of average power. What will happen to the resistor in this circuit if the circuit is driven on resonance?

- a. The resistor will dissipate less than 0.5 W.
- b. The resistor will not dissipate any power.
- c. The resistor will dissipate more than 0.5 W and catch on fire.

15. There is a transformer inside the charger for your cell phone that is designed to reduce the voltage supplied by an electrical outlet. The outlets in your house provide  $V_{\text{rms}}=120$  V AC power, while the charger requires  $V_{\text{max}}=5$  V AC power. How many turns should there be on the secondary side of the charger if there are 100 primary turns?

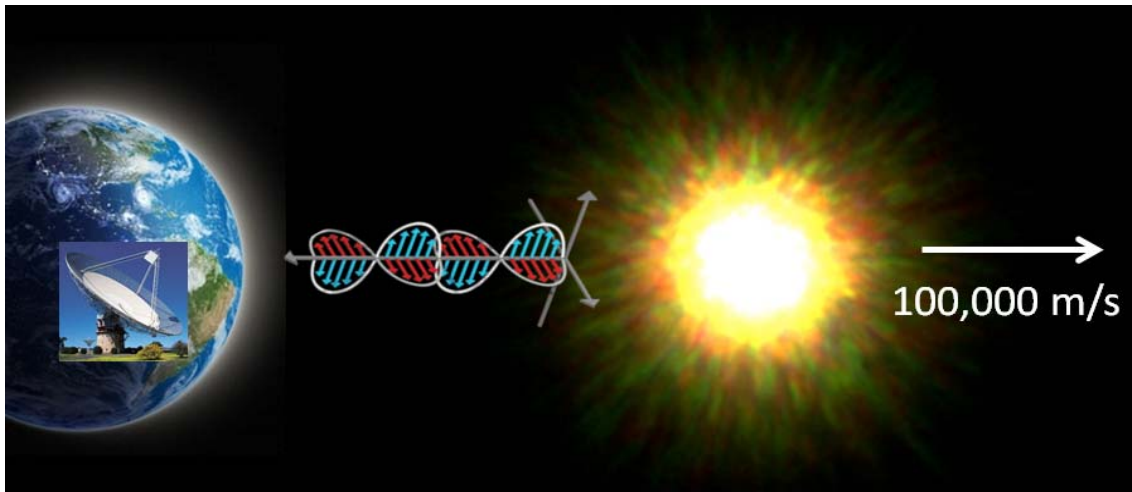


- a. 3
- b. 6
- c. 1700

16. Your tibial plateau was fractured during a soccer game, and afterward you are having an MRI scan performed to check for damage to the menisci in your knee. The 1 T magnetic field inside the MRI machine is roughly uniform. You are lying very still when you realize that you forgot to take off your digital watch. There are 0.003 m long wires carrying 0.001 A of current perpendicular to the magnetic field inside your watch. What is the force on one of these wires?

- a.  $0.3 \times 10^{-6}$  N
- b.  $3 \times 10^{-5}$  N
- c.  $3 \times 10^{-6}$  N

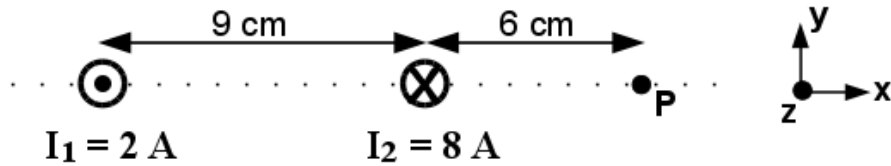
17. You are measuring the wavelength of the light emitted by a distant star. The star, which is moving away from you at 100,000 m/s, emits light with a 30.00 cm wavelength. What is the wavelength of the light that you measure?



- a. 60.00 cm
- b.  $1.111 \times 10^{-3}$  cm
- c. 31.00 cm
- d. 29.99 cm
- e. 30.01 cm

*The next two questions pertain to the following situation:*

Two long straight wires are placed parallel to one another 9 cm apart, as shown in the figure. The current in wire 1 is oriented out of the page, and the current in wire 2 is oriented into the page. A point P is located 6 cm to the right of wire 2.



18. Calculate the net magnetic field in the y direction at the point P.

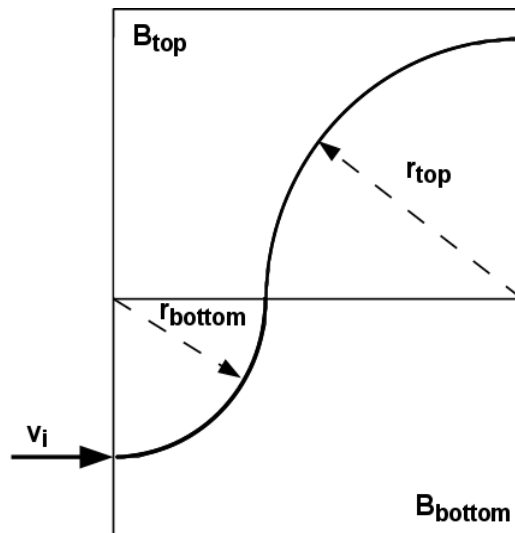
- a.  $B_{\text{net}} = +1.04 \times 10^{-5}\text{ T}$
- b.  $B_{\text{net}} = +3.99 \times 10^{-5}\text{ T}$
- c.  $B_{\text{net}} = +6.72 \times 10^{-5}\text{ T}$
- d.  $B_{\text{net}} = -5.34 \times 10^{-5}\text{ T}$
- e.  $B_{\text{net}} = -2.40 \times 10^{-5}\text{ T}$

19. The net magnetic field due to the two wires equals zero at a point in the region between the two wires.

- a. True
- b. False

*The next three questions pertain to the following situation:*

A particle of mass  $5 \times 10^{-8}$  kg and speed  $v_i = 3000$  m/s enters a region with magnetic field  $B_{\text{bottom}}$ , which is perpendicular to the plane of the paper. The magnitude of  $B_{\text{bottom}}$  is not known. The particle follows a quarter-circle trajectory and enters another region with a different magnetic field  $B_{\text{top}}$ , which is also perpendicular to the plane of the paper. It again follows a quarter-circle trajectory. The magnitude of  $B_{\text{top}}$  is also not known. The radius of curvature for the motion in the top region is larger than that in the bottom region ( $r_{\text{top}} > r_{\text{bottom}}$ ).



20. Given that the particle has charge  $q = +6 \mu\text{C}$ , in which direction does  $B_{\text{top}}$  point?

- a. into the page
- b. out of the page

21. Which is true regarding the relationship between  $B_{\text{top}}$  and  $B_{\text{bottom}}$ ?

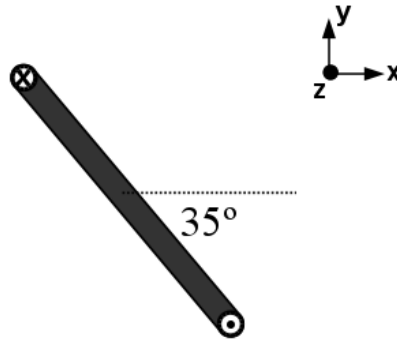
- a.  $B_{\text{top}} < B_{\text{bottom}}$
- b.  $B_{\text{top}} = B_{\text{bottom}}$
- c.  $B_{\text{top}} > B_{\text{bottom}}$

22. Calculate  $B_{\text{top}}$  if  $r_{\text{top}}$  is 1.35 meters.

- a.  $B_{\text{top}} = 4.9$  T
- b.  $B_{\text{top}} = 18.5$  T
- c.  $B_{\text{top}} = 68.4$  T
- d.  $B_{\text{top}} = 173$  T
- e.  $B_{\text{top}} = 557$  T

*The next two questions pertain to the following situation:*

A square loop with sides of unknown length  $L$  is carrying a current  $I = 3$  A. The loop is oriented in space at a  $35^\circ$  angle with respect to the horizontal. The current flows into the page at the top of the loop and out of the page at the bottom of the loop, as shown in the picture below. A magnetic field of magnitude  $B = 2.8$  mT is applied in an unknown direction.



23. In which direction could the magnetic field be oriented for the torque due to the magnetic field to cause the loop to rotate in the counter-clockwise (CCW) direction as viewed in the picture above?

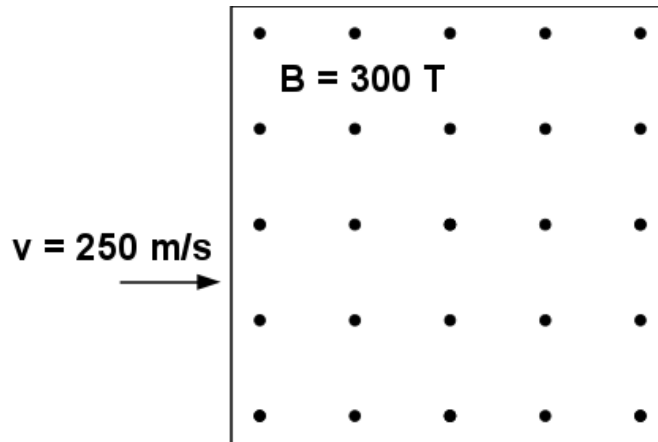
- a. +x
- b. +y
- c. +z

24. Presume the magnetic field is now directed downward, in the  $-y$  direction. The torque on the loop is measured to be  $\tau = 6.4 \times 10^{-6}$  N m. Calculate the length  $L$  of the sides of the square.

- a.  $L = 0.381$  m
- b.  $L = 0.192$  m
- c.  $L = 0.633$  m
- d.  $L = 0.085$  m
- e.  $L = 0.037$  m

*The next two questions pertain to the following situation:*

A positively charged particle moving with speed  $v = 250$  m/s enters a region of magnetic field of magnitude  $B = 300$  T oriented out of the page, as shown in the figure. The magnetic force on the particle is measured to be  $15 \times 10^{-9}$  N.



25. Calculate the charge  $Q$  of the particle.

- a.  $Q = 1 \times 10^{-13}$  C
- b.  $Q = 2 \times 10^{-13}$  C
- c.  $Q = 3 \times 10^{-13}$  C
- d.  $Q = 4 \times 10^{-13}$  C
- e.  $Q = 5 \times 10^{-13}$  C

26. An electric field is now applied in the same region as the magnetic field. In which direction must the electric field be oriented so that the charge travels a straight-line trajectory through the region of the two fields?

- a. up
- b. down
- c. into the page
- d. out of the page
- e. right

**Check to make sure you bubbled in all your answers.  
Did you bubble in your name, exam version and network-ID?**

## KEY

## Spring 2012 – Exam 2

1. c
2. e
3. a
4. c
5. a
6. b
7. a
8. b
9. c
10. c
11. e
12. a
13. d
14. c
15. a
16. c
17. e
18. e
19. b
20. b
21. a
22. b
23. a
24. e
25. b
26. a