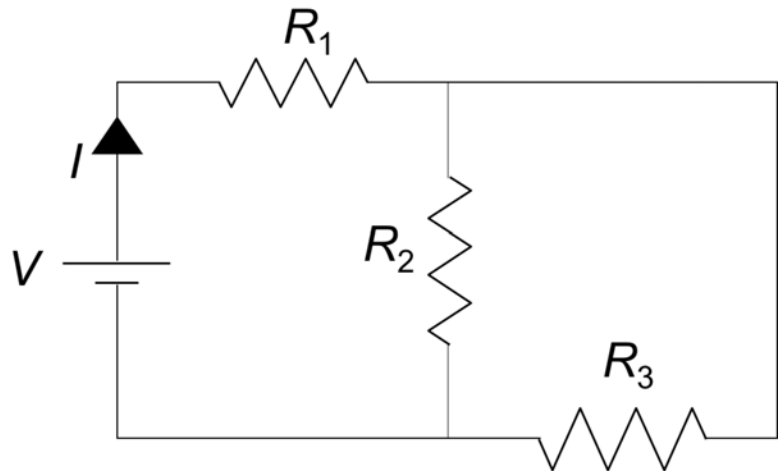


The next three questions pertain to the situation described below.

Three resistors  $R_1$ ,  $R_2$ , and  $R_3$ , are connected to a battery with voltage  $V$  as shown in the figure. A current  $I$  flows through the resistor  $R_1$ .



1) Resistors  $R_2$  and  $R_3$  are in

- ✓ a. parallel.
- b. series.
- c. neither series nor parallel.

2) What fraction of the current  $I$  flows through the resistor  $R_2$

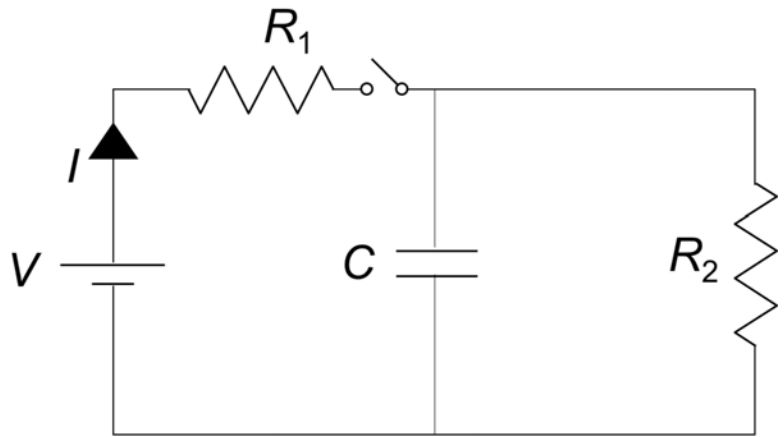
- a.  $R_3/(R_1 + R_2)$
- b.  $R_2/(R_1 + R_2)$
- c.  $R_2/R_3$
- d.  $R_2/(R_2 + R_3)$
- ✓ e.  $R_3/(R_2 + R_3)$

3) What is the value of the current  $I$ , in terms of the resistances  $R_1$ ,  $R_2$ , and  $R_3$ , and the voltage  $V$

- a.  $I = V/(R_1 + R_2 + R_3)$
- b.  $I = V(R_2 + R_3)/(R_1 + R_2 + R_3)$
- ✓ c.  $I = V(R_2 + R_3)/(R_1R_2 + R_1R_3 + R_2R_3)$

The next four questions pertain to the situation described below.

Consider the RC Circuit pictured. A Battery with voltage  $V = 5$  Volts is connected to two resistors of resistance  $R_1 = 25 \Omega$  and  $R_2 = 30 \Omega$ , and a capacitor with capacitance  $C = 15 \mu F$ . Assume that the switch has been open for a very long time, so that the initial charge  $Q$  on the capacitor is zero.



4) What is the value of the current  $I$  immediately after the switch is closed?

- a.  $I = 0.0909$  A
- b.  $I = 0.167$  A
- ✓ c.  $I = 0.2$  A

5) After the switch has been closed for a long time, what is the charge  $Q$  on the capacitor?

- a.  $Q = 3 \mu C$
- ✓ b.  $Q = 40.9 \mu C$
- c.  $Q = 75 \mu C$
- d.  $Q = 34.1 \mu C$
- e.  $Q = 1.36 \mu C$

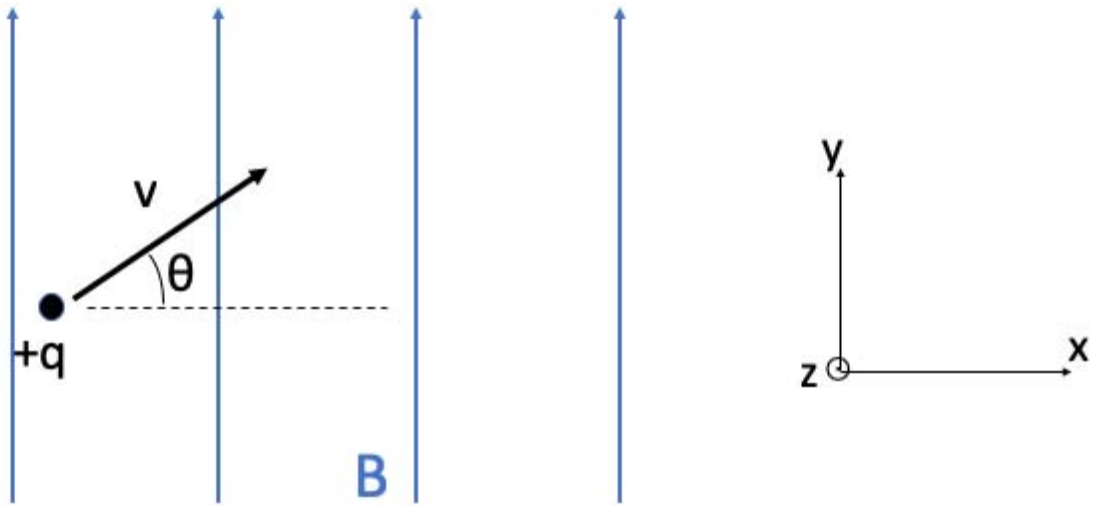
6) The energy expended by the battery in charging the capacitor is

- a. Equal to the final value of the energy stored in the capacitor.
- b. Less than the final value of the energy stored in the capacitor.
- ✓ c. Greater than the final value of the energy stored in the capacitor.

7) After the switch has been closed for a very long time, it is then re-opened. If the value of the charge on the capacitor at the instant the switch is reopened is  $Q_0$ , what is the charge on the capacitor after a time  $t = 90 \mu s$ ?

- a.  $Q = 0.897 Q_0$
- b.  $Q = 0.787 Q_0$
- ✓ c.  $Q = 0.819 Q_0$

The next two questions pertain to the situation described below.



At a particular moment, a charge  $q=+0.54$  C and mass  $m=0.06$  kg is moving purely in the  $x$ - $y$  plane, at an angle from the (horizontal)  $x$ -axis of  $\theta=26^\circ$  at speed  $v=0.8$  m/s through a uniform magnetic field that points in the positive  $y$ -direction with strength  $B_y=0.9$  T.

8) What is the acceleration of the charge in the  $z$ -direction (where the positive  $z$ -axis points out of the page)?

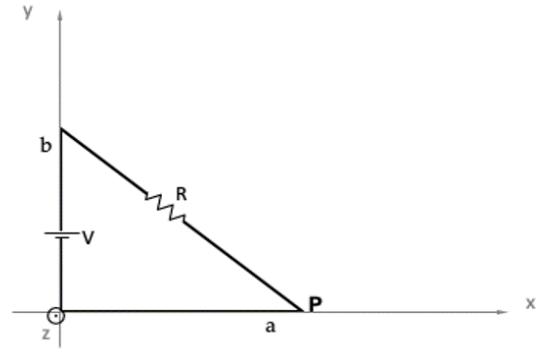
- a.  $-5.8$  m/s<sup>2</sup>
- b.  $6.5$  m/s<sup>2</sup>
- ✓ c.  $5.8$  m/s<sup>2</sup>
- d.  $-6.5$  m/s<sup>2</sup>
- e.  $-2.8$  m/s<sup>2</sup>

9) Which of the following changes would increase the time it takes for the particle spiraling in the magnetic field to complete one revolution?

- a. Increase the speed  $v$
- ✓ b. Decrease the magnetic field  $B$
- c. Increase the charge  $q$

The next three questions pertain to the situation described below.

A triangular conducting loop lies in the x-y plane, as shown, with one tip (point P) lying on the +x axis a distance  $a=5.7$  cm from the origin. The triangle is right-angled, with the right angle at the origin and extending a distance  $b=3.6$  cm up the positive y-axis. A battery with voltage  $V=8$  V is attached along the y-axis as shown, with the negative side closest to the origin, and a resistor of resistance  $R=0.2 \Omega$  is attached along the hypotenuse of the triangle.



10) What is the magnitude of the magnetic dipole moment of the current loop?

- a.  $0.13 \text{ A m}^2$
- b.  $0.052 \text{ A m}^2$
- ✓ c.  $0.041 \text{ A m}^2$

11) In what direction would a magnetic field need to be applied such that the point P would move towards the z-axis, pointing either out of the page or into the page?

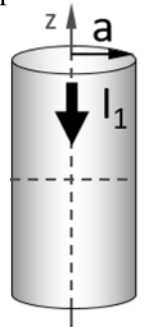
- a. z direction
- ✓ b. x direction
- c. y direction

12) A magnetic field is applied in the positive z-direction for the loop held fixed in the x-y plane. What is the sign of the potential energy  $U$ ?

- a.  $U < 0$
- b.  $U = 0$
- ✓ c.  $U > 0$

The next three questions pertain to the situation described below.

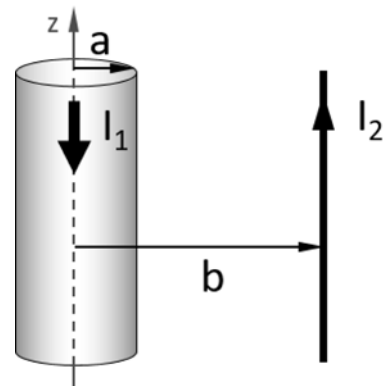
13) Consider an infinitely long, thick wire of radius  $a = 7$  cm, that carries a total current  $I_1 = 14$  A in the  $-z$ -direction, as shown in the figure. What is the magnitude of the magnetic field  $B$  at a distance  $r = 4$  cm from the center of the wire?



- a.  $B = 1.6 \times 10^{-6}$  T
- b.  $B = 4 \times 10^{-5}$  T
- c.  $B = 7 \times 10^{-5}$  T
- d.  $B = 9.14 \times 10^{-7}$  T
- ✓ e.  $B = 2.29 \times 10^{-5}$  T

14) Now consider the situation where an infinitely long thin wire carrying current  $I_2$  in the  $+z$ -direction is placed parallel to and at a distance  $b = 9$  cm from the center of the thick wire, as shown.

The force between the wires is



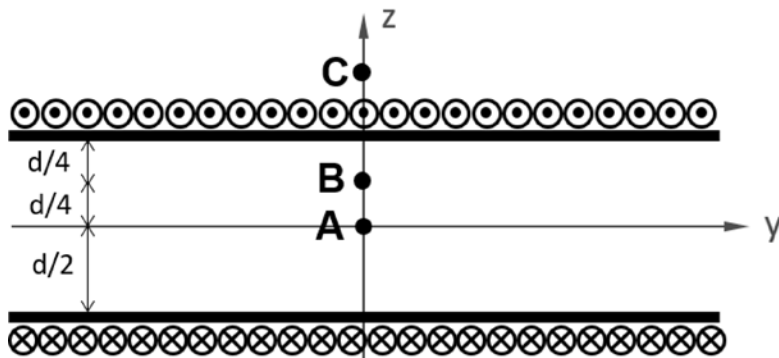
- ✓ a. repulsive
- b. attractive.
- c. not determined, without knowing the magnitude of  $I_2$ .

15) A student measures that the force per unit length exerted on  $I_2$  by  $I_1$  is  $0.0023$  N/m. What is the magnitude of  $I_2$ ?

- a.  $I_2 = 4.03$  A
- b.  $I_2 = 16.4$  A
- c.  $I_2 = 57.5$  A
- d.  $I_2 = 1030$  A
- ✓ e.  $I_2 = 73.9$  A

The next three questions pertain to the situation described below.

Consider two infinitely long and wide flat metal sheets, placed parallel to the  $x$ - $y$  plane, as shown. The distance between the sheets is  $d = 7$  cm. Each sheet carries an evenly distributed linear current density of  $10^3$  A/m, in the  $+x$ -direction for the top sheet and in the  $-x$ -direction for the bottom sheet. Point A is located half-way between the sheets, while point B is located one-quarter of the way between the sheets.



16) What is the direction of the magnetic field at point B?

- a.  $+z$ -direction
- b.  $-z$ -direction
- ✓ c.  $+y$ -direction

17) Compare the magnitude of the magnetic field at the points A, B, and C:

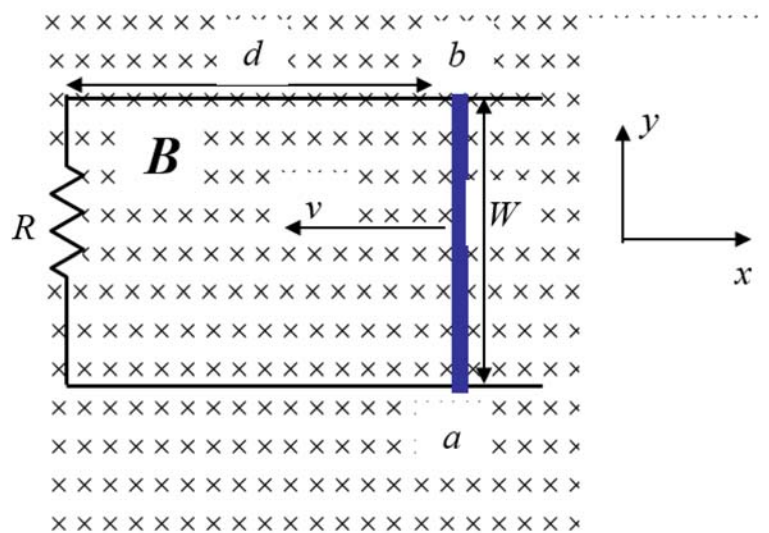
- a.  $B_A = B_B = B_C$
- b.  $B_A > B_B > B_C$
- ✓ c.  $B_A = B_B > B_C$

18) What is the magnitude of the magnetic field  $B_A$  at point A?

- a.  $B_A = 6.28 \times 10^{-4}$  T
- b.  $B_A = 0$  T
- ✓ c.  $B_A = 0.00126$  T

The next three questions pertain to the situation described below.

A conducting bar of mass  $m = 0.7$  kg was given an initial push and now slides with negligible friction along a pair of horizontal conducting tracks separated by a distance  $W = 0.12$  m, as shown in the figure. The left side of the loop contains a resistor with resistance  $R = 3 \Omega$ . There is a constant magnetic field,  $B = 1.4$  T, directed into the page. When the bar is a distance  $d = 0.15$  m from the resistor the induced current in the loop is  $I = 0.8$  A.



19) What is the speed of the bar when it is a distance  $d = 0.15$  m from the resistor.

- ✓ a.  $v = 14.3$  m/s
- b.  $v = 11.4$  m/s
- c.  $v = 9.14$  m/s

20) What is the magnitude of the acceleration of the bar when it is a distance  $d = 0.15$  m from the resistor.

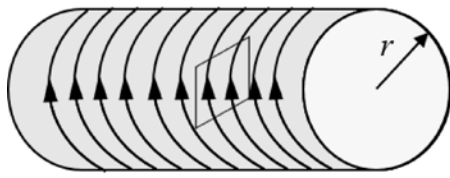
- a.  $|a| = 0.24$  m/s<sup>2</sup>
- b.  $|a| = 682$  m/s<sup>2</sup>
- ✓ c.  $|a| = 0.192$  m/s<sup>2</sup>
- d.  $|a| = 9.61$  m/s<sup>2</sup>
- e.  $|a| = 0$  m/s<sup>2</sup>

21) What direction does the current flow through the resistor?

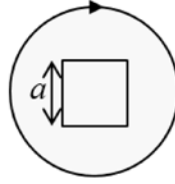
- a. Counter clockwise, down through the resistor.
- ✓ b. Clockwise, up through the resistor.

The next three questions pertain to the situation described below.

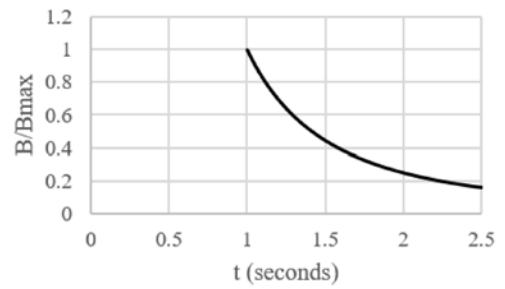
Long Solenoid with conducting square loop in center.



Side View



Front View



A conducting wire with resistance  $0.45 \Omega$  is formed into a square with side  $a = 0.4 \text{ m}$  and placed in the center of a long solenoid of radius  $r = 0.3 \text{ m}$  as shown in the figure. The current through the solenoid is adjusted such that the magnetic field inside is given by  $B(t) = 1.2/t^2 \text{ T}$  with  $t > 1$  and measured in seconds.

22) If the current through the solenoid at time  $t = 1 \text{ s}$  is  $3.77 \text{ amps}$ , what is the number of turns/meter wrapping the solenoid?

- a.  $n = 1.59 \times 10^6$  turns/meter
- b.  $n = 4.77 \times 10^5$  turns/meter
- ✓ c.  $n = 2.53 \times 10^5$  turns/meter

23) What is the magnitude of the current induced in the square loop at time  $t = 1.3 \text{ s}$ ?

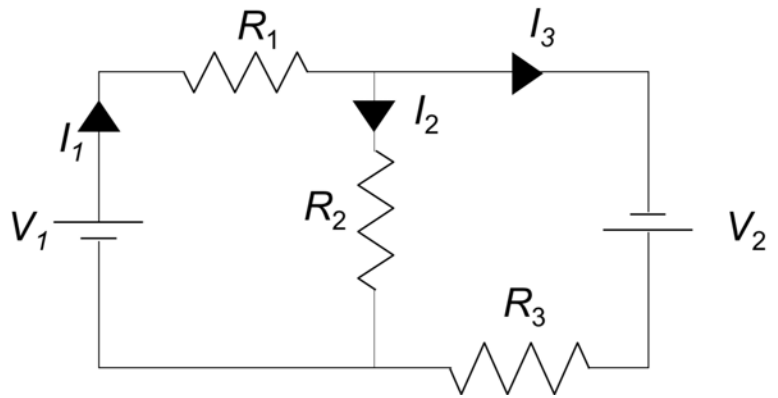
- a.  $I = 0.218 \text{ A}$
- ✓ b.  $I = 0.388 \text{ A}$
- c.  $I = 0.446 \text{ A}$
- d.  $I = 0.252 \text{ A}$
- e.  $I = 0.686 \text{ A}$

24) If the direction of the current in the solenoid is clockwise from the front view (as shown in image), what is the direction of the current induced in the square loop?

- a. Counter clockwise
- ✓ b. Clockwise



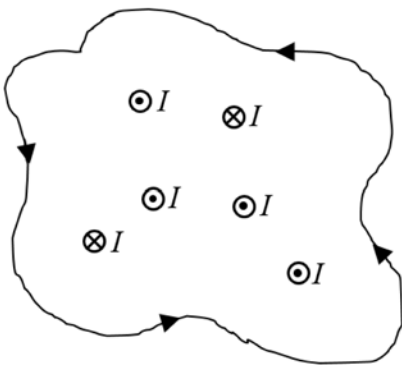
Consider the circuit pictured consisting of three resistors with resistances  $R_1$ ,  $R_2$ , and  $R_3$ , two batteries with voltage  $V_1$  and  $V_2$ . A current  $I_1$  flows through resistor  $R_1$ , a current  $I_2$  flows through resistor  $R_2$ , and a current  $I_3$  flows through the resistor  $R_3$  in the direction indicated in the figure



25) Which of the following is a valid Kirchoff voltage law equation for this circuit?

- ✓ a.  $V_1 - I_3 R_3 + V_2 - I_1 R_1 = 0$
- b.  $V_1 - I_2 R_2 - I_3 R_3 = 0$
- c.  $V_1 + I_3 R_3 + V_2 + I_1 R_1 = 0$

26) Six parallel wires, each carrying current  $I$ , have directions into and out of the plane as shown. Consider a closed path enclosing the wires, as shown in the figure. If the value of the line integral of the magnetic field around the closed path is  $5.2 \times 10^{-6}$  T-m, what is the value of  $I$ ?



- ✓ a.  $I = 2.07$  A
- b.  $I = 0.69$  A
- c.  $I = 4.14$  A