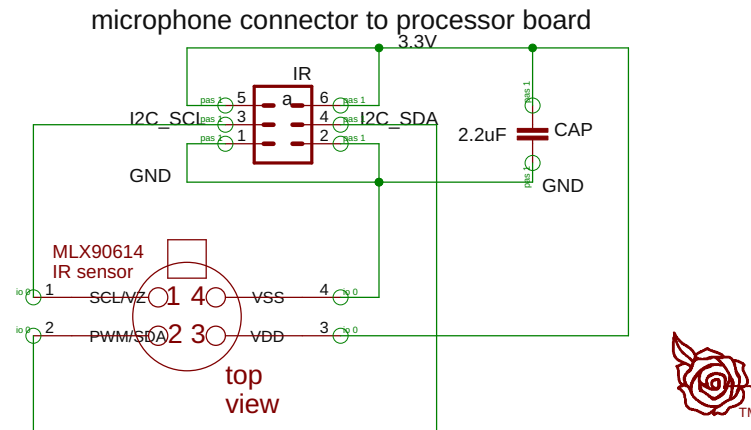


Project comprises three kinds of boards:
 processor board (1)
 microphone boards (3)
 IR thermometer board (1)



NB: this must be the 3V version of the MLX90L614. Typical part number: MLX90614ESF-BAA



Fire extinguisher project
 George Gollin
 University of Illinois 2022
 October 2022
 p371_fa2022_fire_group1c

p371_fa2022_fire_group1c

10/18/22 9:12:53 AM

Sheet: 1/1