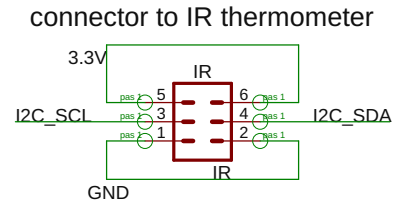
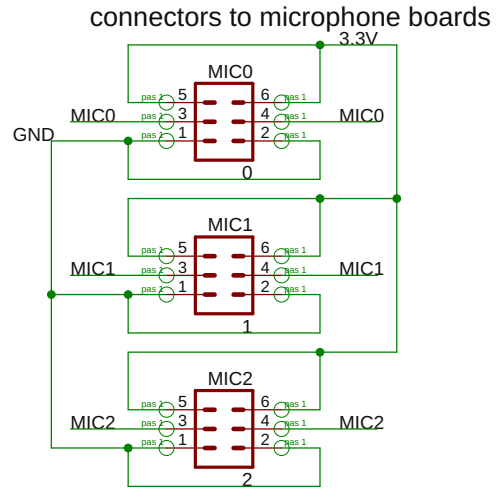


Project comprises three kinds of boards:  
 processor board (1)  
 microphone boards (3)  
 IR thermometer board (1)

Set the Adalogger ADC resolution to 12 bits  
 using analogReadResolution(12);



Fire extinguisher project George Gollin University of Illinois 2022 October 2022 p371_fa2022_fire_group1a	
p371_fa2022_fire_group1a	
10/7/22 5:58:44 PM	
Sheet:	1/1