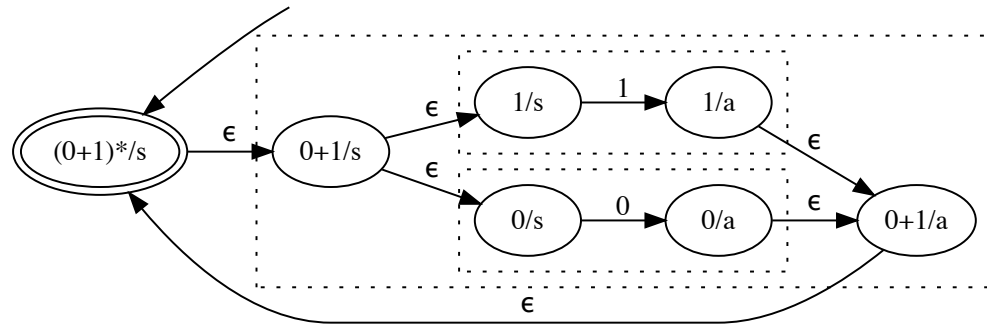
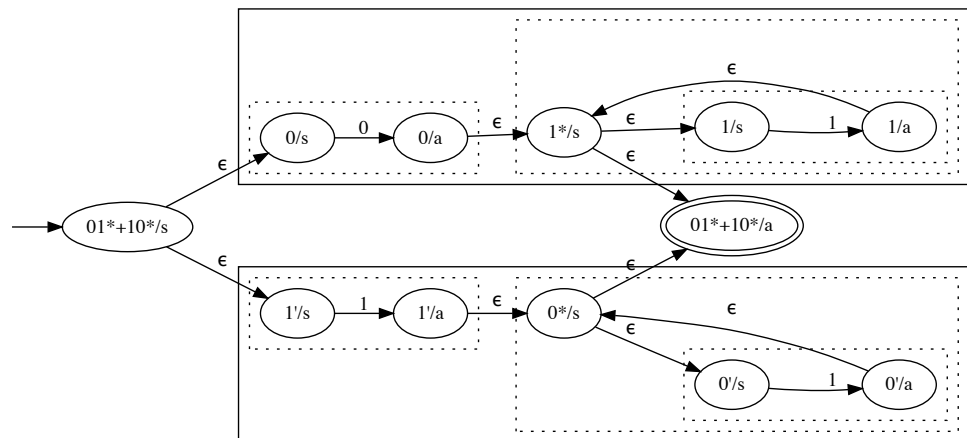


1. Use Thompson's algorithm to create an NFA for the following regular expressions:

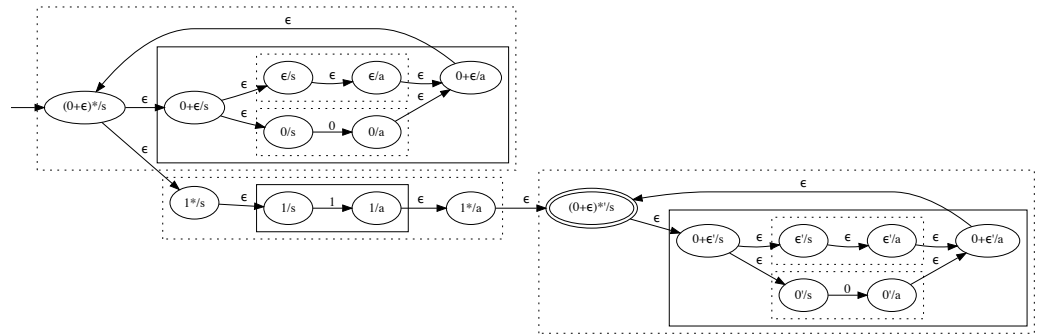
(a) $(0 + 1)^*$



(b) $01^* + 10^*$

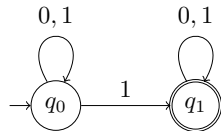


(c) $(0 + \epsilon)^* 1^* (0 + \epsilon)^*$

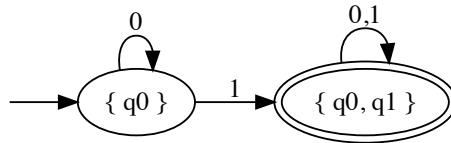


2. Use the incremental subset construction to build a DFA that accepts the same language as the following NFAs:

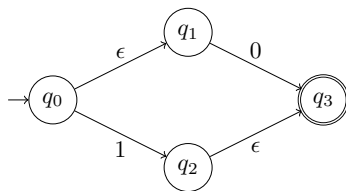
(a)



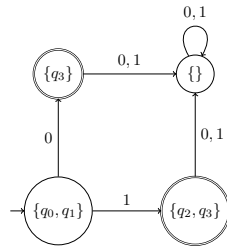
Solution:



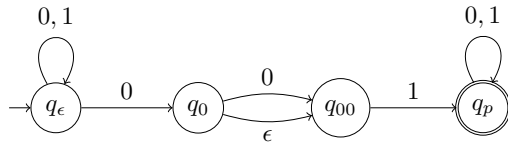
(b)



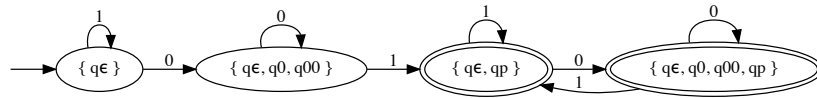
Solution:



(c)



Solution:



Work on this later:

4. Use the incremental subset construction to convert the NFAs from part 1 to DFAs