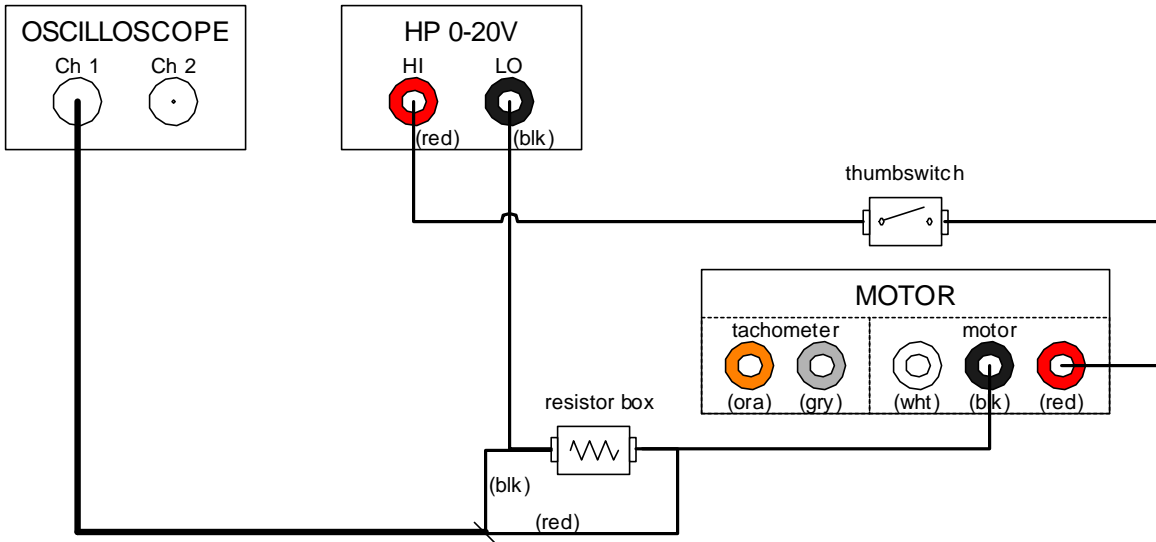
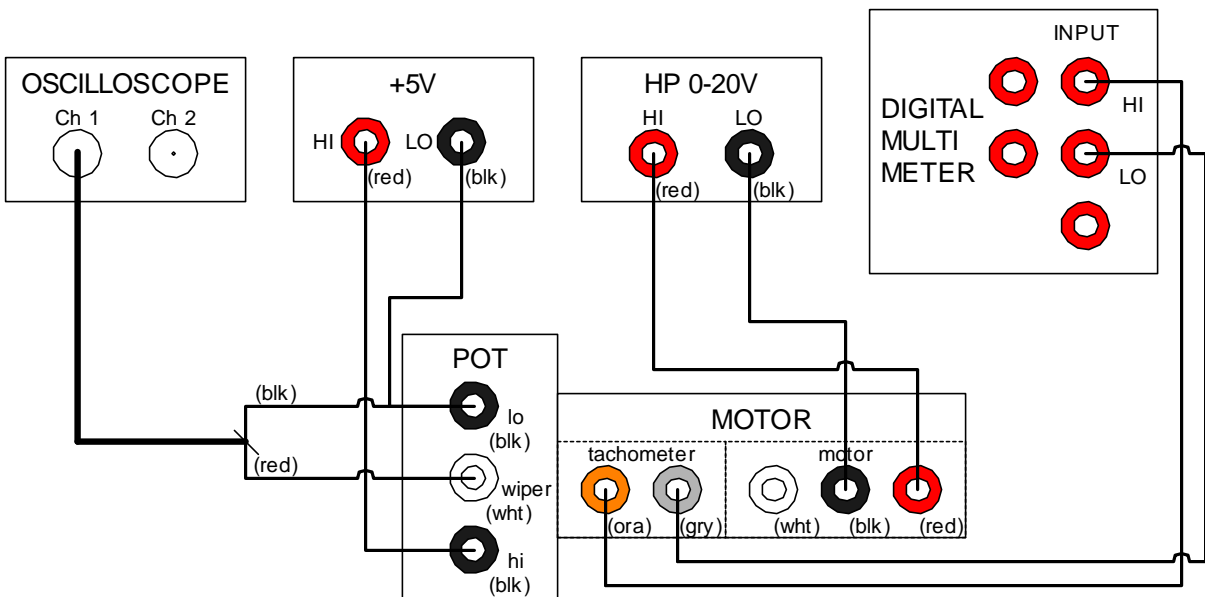


# Lab 4: Introduction to the DC Motor Wiring Diagrams

## I. Armature Resistance and Inductance

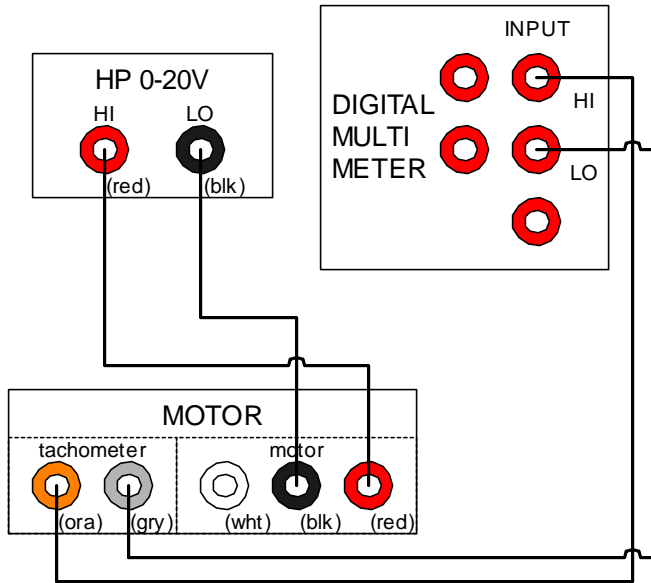


## II. Calibration of the Tachometer



## Lab 4: Introduction to the DC Motor Wiring Diagrams

### III. Back-EMF Constant and Viscous Friction Coefficient



### IV. Rotor Moment of Inertia

