

Last Name: \_\_\_\_\_ First Name \_\_\_\_\_ Network-ID \_\_\_\_\_

Discussion Section: \_\_\_\_\_ Discussion TA Name: \_\_\_\_\_

**Turn off your cell phone and put it out of sight.**

**Keep your calculator on your own desk. Calculators cannot be shared.**

**This is a closed book exam. You have ninety (90) minutes to complete it.**

1. Use a #2 pencil. Do not use a mechanical pencil or pen. Darken each circle completely, but stay within the boundary. If you decide to change an answer, erase vigorously; the scanner sometimes registers incompletely erased marks as intended answers; this can adversely affect your grade. Light marks or marks extending outside the circle may be read improperly by the scanner. Be especially careful that your mark covers the **center** of its circle.

2. You may find the version of **this Exam Booklet at the top of page 2**. Mark the version circle in the TEST FORM box near the middle of your answer sheet. **DO THIS NOW!**

3. Print your **NETWORK ID** in the designated spaces at the *right* side of the answer sheet, starting in the left most column, then **mark the corresponding circle** below each character. If there is a letter "o" in your NetID, be sure to mark the "o" circle and not the circle for the digit zero. If and only if there is a hyphen "-" in your NetID, mark the hyphen circle at the bottom of the column. When you have finished marking the circles corresponding to your NetID, check particularly that you have not marked two circles in any one of the columns.

4. Print **YOUR LAST NAME** in the designated spaces at the *left* side of the answer sheet, then mark the corresponding circle below each letter. Do the same for your **FIRST NAME INITIAL**.

5. Print your UIN# in the STUDENT NUMBER designated spaces and mark the corresponding circles. You need not write in or mark the circles in the SECTION box.

6. Sign your name (**DO NOT PRINT**) on the **STUDENT SIGNATURE line**.

7. On the **SECTION line**, print your **DISCUSSION SECTION**. You need not fill in the COURSE or INSTRUCTOR lines.

*Before starting work, check to make sure that your test booklet is complete. You should have 9 **numbered pages** plus three (3) Formula Sheets following these instructions.*

**Academic Integrity—Giving assistance to or receiving assistance from another student or using unauthorized materials during a University Examination can be grounds for disciplinary action, up to and including dismissal from the University.**

**This Exam Booklet is Version A.** Mark the **A** circle in the **TEST FORM** box near the middle of your answer sheet. **DO THIS NOW!**

*Exam Grading Policy—*

The exam is worth a total of **99** points, composed of three types of questions.

**MC5:** *multiple-choice-five-answer questions, each worth 6 points.*

**Partial credit will be granted as follows.**

- (a) If you mark only one answer and it is the correct answer, you earn **6** points.
- (b) If you mark *two* answers, one of which is the correct answer, you earn **3** points.
- (c) If you mark *three* answers, one of which is the correct answer, you earn **2** points.
- (d) If you mark no answers, or more than *three*, you earn **0** points.

**MC3:** *multiple-choice-three-answer questions, each worth 3 points.*

**No partial credit.**

- (a) If you mark only one answer and it is the correct answer, you earn **3** points.
- (b) If you mark a wrong answer or no answers, you earn **0** points.

**MC2:** *multiple-choice-two-answer questions, each worth 2 points.*

**No partial credit.**

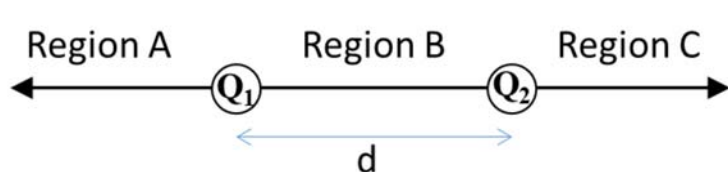
- (a) If you mark only one answer and it is the correct answer, you earn **2** points.
- (b) If you mark the wrong answer or neither answer, you earn **0** points.

Some helpful information:

- A reminder about prefixes: p (pico) =  $10^{-12}$ ; n (nano) =  $10^{-9}$ ;  $\mu$  (micro) =  $10^{-6}$ ; m (milli) =  $10^{-3}$ ; k (kilo) =  $10^{+3}$ ; M or Meg (mega) =  $10^{+6}$ ; G or Gig (giga) =  $10^{+9}$ .

The next three questions pertain to the situation described below.

A positive and a negative charge have mass 0.4 kg and are fixed in position along the x-axis separated by a distance  $d=0.2$  m as shown in below.

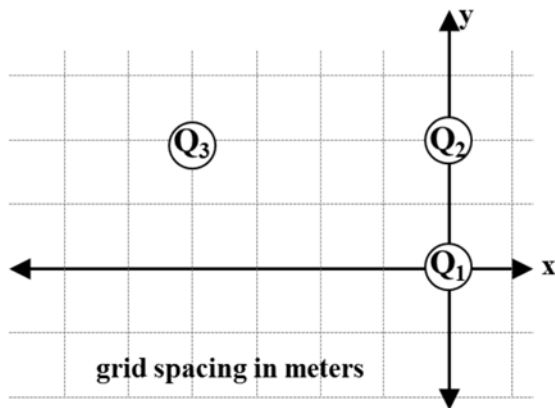


$$Q_1 = 8.2 \times 10^{-6} \text{ Coulombs}$$
$$Q_2 = -1.64 \times 10^{-5} \text{ Coulombs}$$
$$d = 0.2 \text{ m}$$
$$m = 0.4 \text{ kg}$$

- 1) If charge  $Q_2$  is released from rest, how fast will it be moving when it is a distance  $d/4$  from charge  $Q_1$ ?
  - a. 11 m/s
  - b. 12.3 m/s
  - c. 5.5 m/s
  - d. 9.53 m/s
  - e. 0 m/s
  
- 2) In which region(s) is there a point on the x-axis where the electric field due to the two charges is zero?
  - a. Region A only
  - b. Region A and B.
  - c. Region B only.
  
- 3) In which region(s) is there a point on the x-axis where the electric potential due to the two charges is zero?
  - a. Region B only.
  - b. Region A only.
  - c. Regions A and B.

The next three questions pertain to the situation described below.

Three charges are fixed in position as shown in below. Note, charges Q1 and Q3 are positive, charge Q2 is negative.



$$Q_1 = 2.4 \times 10^{-6} \text{ Coulombs}$$

$$Q_2 = -4.8 \times 10^{-6} \text{ Coulombs}$$

$$Q_3 = 2.4 \times 10^{-6} \text{ Coulombs}$$

4) What is the x component of the force on charge Q1 due to the other two charges?

- a.  $F_{1x} = -0.0236 \text{ N}$
- b.  $F_{1x} = 0.00116 \text{ N}$
- c.  $F_{1x} = 0.00232 \text{ N}$
- d.  $F_{1x} = 0.00259 \text{ N}$
- e.  $F_{1x} = -0.0259 \text{ N}$

5) What is the y component of the force on charge Q1 due to the other two charges?

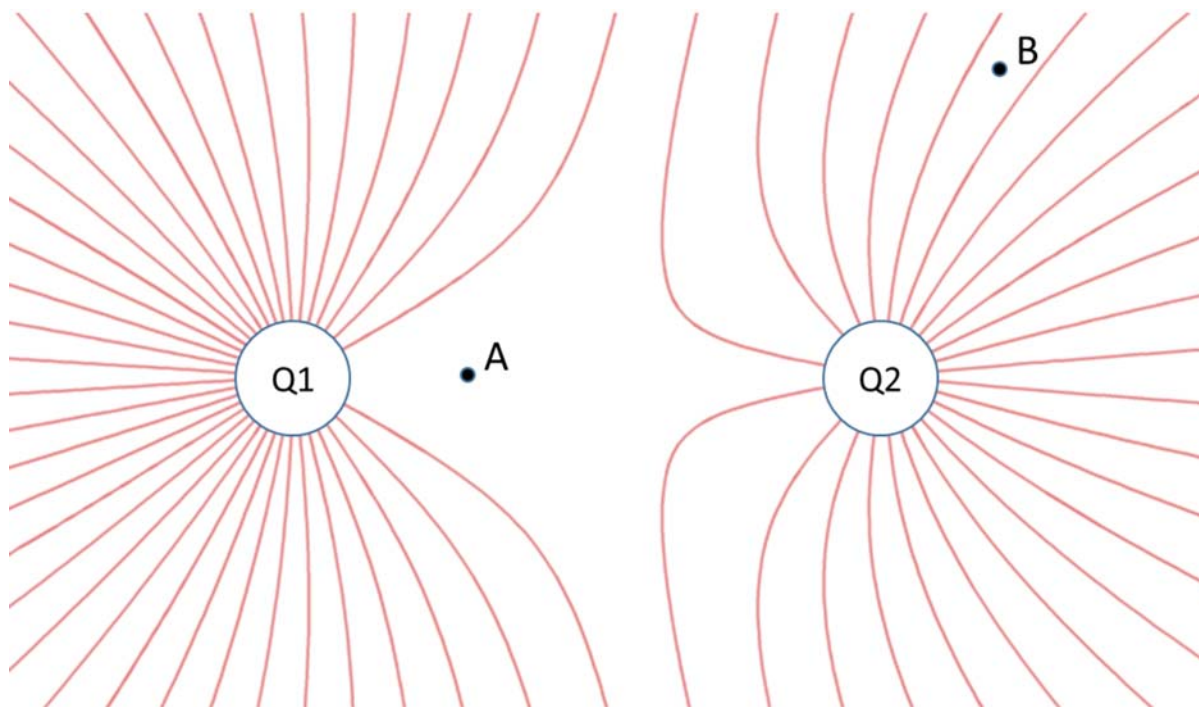
- a.  $F_{1y} = 0.0233 \text{ N}$
- b.  $F_{1y} = -0.0233 \text{ N}$
- c.  $F_{1y} = 0.0224 \text{ N}$
- d.  $F_{1y} = -0.0282 \text{ N}$
- e.  $F_{1y} = 0.0248 \text{ N}$

6) How much work does the **electric field** do, when the charges are brought from infinitely far away, to their location in the figure.

- a.  $W_E = -0.0143 \text{ J}$
- b.  $W_E = -0.0662 \text{ J}$
- c.  $W_E = 0.0662 \text{ J}$
- d.  $W_E = 0.0143 \text{ J}$
- e.  $W_E = 0 \text{ J}$

The next two questions pertain to the situation described below.

The figure below shows the field lines due to two unknown point charges.



7) Compare the magnitude of the two charges.

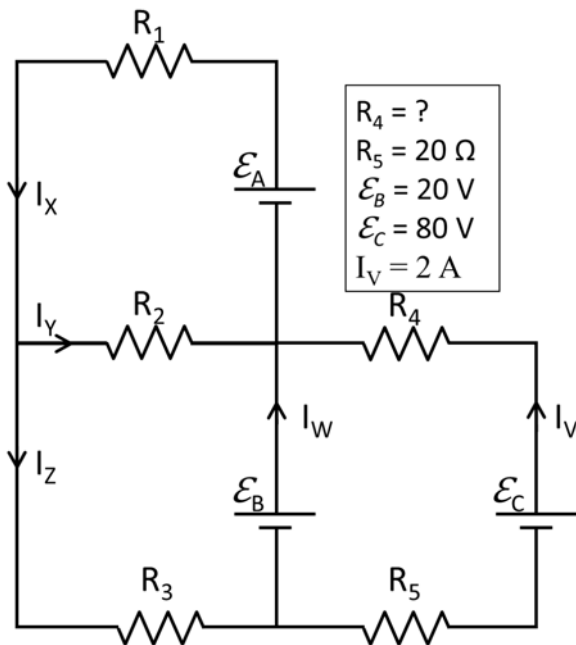
- a.  $|Q1| < |Q2|$
- b.  $|Q1| > |Q2|$
- c.  $|Q1| = |Q2|$

8) Compare the magnitude of the electric field at points **A** and **B**.

- a.  $|E_A| > |E_B|$
- b.  $|E_A| = |E_B|$
- c.  $|E_A| < |E_B|$

The next three questions pertain to the situation described below.

Consider the circuit shown below.



9) What is the resistance of resistor  $R_4$ ?

- $R_4 = 5 \Omega$
- $R_4 = 10 \Omega$
- There is no value of  $R_4$  for which  $I_v = 2 \text{ A}$ .
- $R_4 = 20 \Omega$
- $R_4 = 2 \Omega$

10) Which of the following equations is a valid application of Kirchhoff's current law?

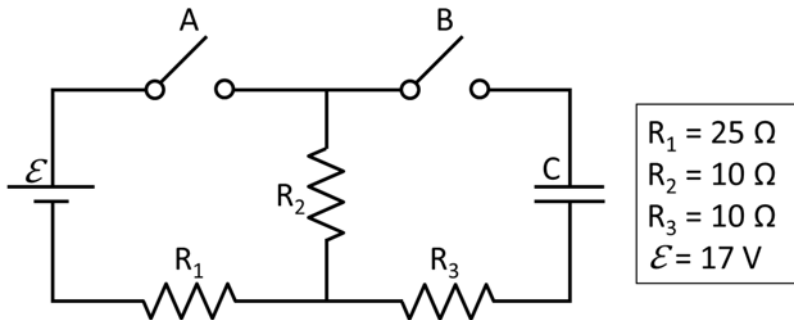
- $I_x + I_y = I_z$
- $I_z = I_w - I_v$
- $I_y + I_w + I_v - I_x = 0$

11) Which of the following equations is **NOT** a valid application of Kirchhoff's voltage law?

- $\mathcal{E}_A + \mathcal{E}_B - I_x R_1 - I_z R_3 = 0$
- $\mathcal{E}_B - I_y R_2 - I_z R_3 = 0$
- $\mathcal{E}_A - I_x R_1 - I_y R_2 = 0$

The next four questions pertain to the situation described below.

Consider the circuit shown below. Initially, both switches are open and the capacitor has been charged to 10 Volts.

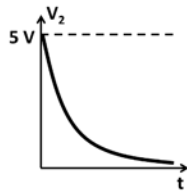


At time  $t=0$  switch B is closed (switch A remains open).

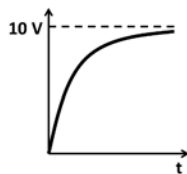
12) What is the current through resistor  $R_3$  just after the switch B is closed?

- a.  $I_3 = 1.5 \text{ A}$ .
- b.  $I_3 = 0.5 \text{ A}$ .
- c.  $I_3 = 2.5 \text{ A}$ .

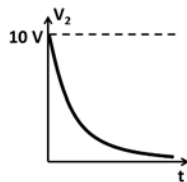
13) Which of the following plots best represents the voltage  $V_2$  across resistor 2 starting just after switch B is closed? (Be careful image is above answer choice)



a.



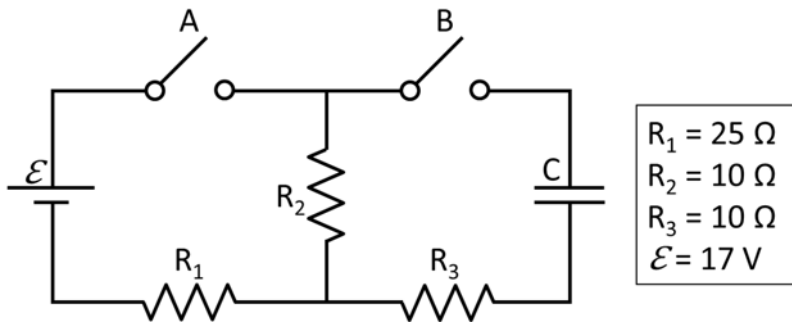
b.



c.

14) **Figure repeated from previous page**

Consider the circuit shown below. Initially, both switches are open and the capacitor has been charged to 10 Volts. At time  $t=0$  switch B is closed (switch A remains open).



If it takes  $12 \mu\text{s}$  for the charge on the capacitor to drop the  $1/2$  of its initial value, what is the capacitance of the capacitor C?

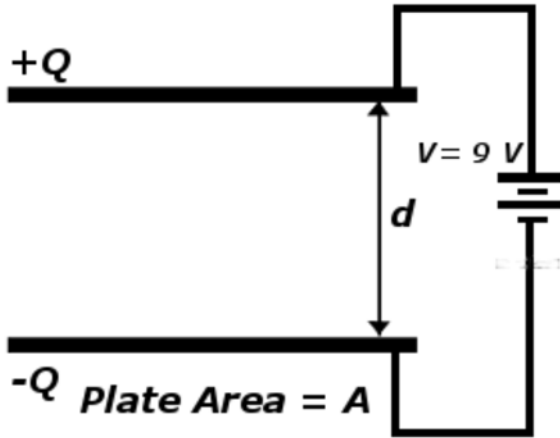
- a.  $C = 1631 \text{ nF}$
- b.  $C = 493 \text{ nF}$
- c.  $C = 3370 \text{ nF}$
- d.  $C = 866 \text{ nF}$
- e.  $C = 215 \text{ nF}$

15) After a very long time, switch A is closed. Switch B remains closed. What is the magnitude of the current  $I_1$  through resistor  $R_1$  immediately after switch A is closed?

- a.  $I_1 = 0.567 \text{ A}$
- b.  $I_1 = 0.165 \text{ A}$
- c.  $I_1 = 0.202 \text{ A}$
- d.  $I_1 = 0.446 \text{ A}$
- e.  $I_1 = 0.930 \text{ A}$



The next three questions pertain to the situation described below.



A parallel plate capacitor consists of two metal plates with an area  $A = 542 \text{ mm}^2$  separated by a distance  $d = 0.36 \text{ mm}$ . The capacitor is connected to a 9 volt battery as shown above.

16) What is the charge  $Q$  on the capacitor?

- a.  $Q = 0.539 \text{ nC}$
- b.  $Q = 1.08 \text{ nC}$
- c.  $Q = 120 \text{ nC}$
- d.  $Q = 0.12 \text{ nC}$
- e.  $Q = 1.2 \times 10^{-4} \text{ nC}$

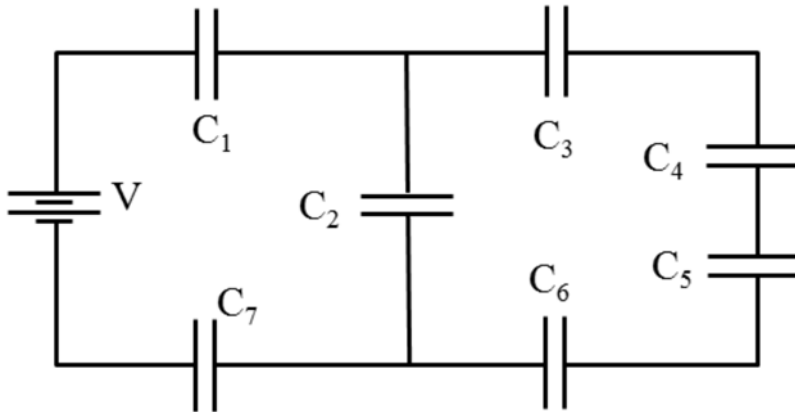
17) If the plates are pulled slightly further apart (increasing  $d$ ) the magnitude of the *electric field* between the plates

- a. decreases.
- b. remains the same.
- c. increases.

18) If a dielectric of dielectric strength  $\kappa$  is placed between the plates, how will the charge on the capacitor change?

- a. decrease by a factor of  $\kappa$ .
- b. Stay the same.
- c. Increase by a factor of  $\kappa$ .

The next four questions pertain to the situation described below.



Seven identical capacitors with capacitance  $C = 8.5 \text{ nF}$  are connected to a 12 Volt battery as shown in the figure above.

19) Capacitors  $C_3$  and  $C_6$  are connected

- in parallel.
- in series.
- neither in series nor in parallel.

20) Compare the magnitude of the voltage across capacitor  $C_1$  with the magnitude of the voltage across capacitor  $C_7$

- $V_1 = V_7$
- $V_1 > V_7$
- $V_1 < V_7$

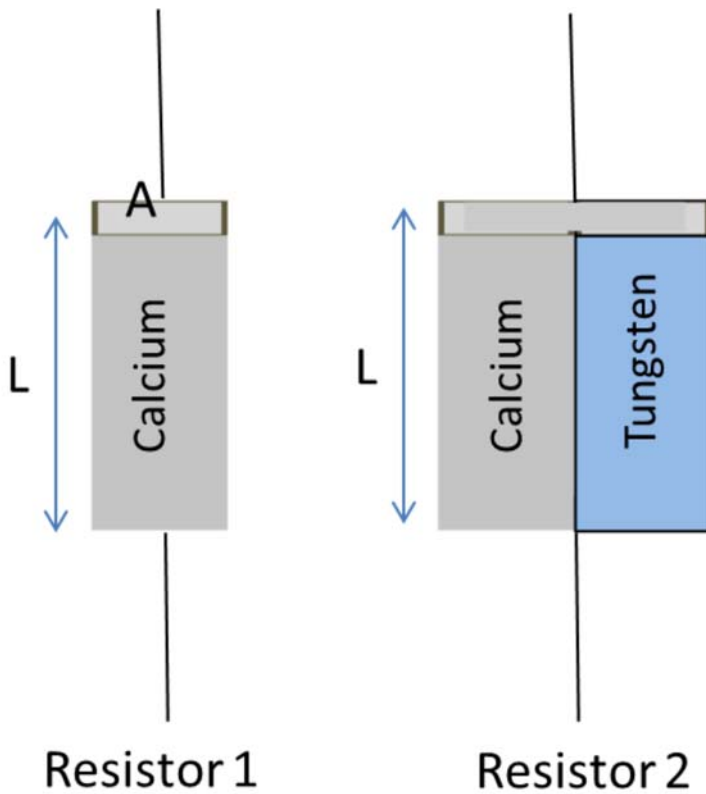
21) What is the equivalent capacitance of the network of seven capacitors?

- $C_{eq} = 9.92 \text{ nF}$
- $C_{eq} = 9.07 \text{ nF}$
- $C_{eq} = 23.8 \text{ nF}$
- $C_{eq} = 3.04 \text{ nF}$
- $C_{eq} = 1.21 \text{ nF}$

22) What is the voltage across capacitor  $C_2$ ?

- $V_2 = 3.4 \text{ Volts}$
- $V_2 = 4 \text{ Volts}$
- $V_2 = 0.85 \text{ Volts}$

The next two questions pertain to the situation described below.



A student decides to build some resistors using rectangular blocks of calcium ( $\rho = 3.36 \times 10^{-8} \Omega \text{ m}$ ) and tungsten ( $\rho = 5.6 \times 10^{-8} \Omega \text{ m}$ ). The dimensions of the blocks are identical with a length  $L = 0.12 \text{ m}$ , and cross section  $A = 2.25 \times 10^{-4} \text{ m}^2$ . Resistor 1 is created from a single block of calcium. Resistor 2 is created by attaching a block of calcium to a block of tungsten as shown in the figure above.

23) Compare the resistance of the two resistors.

- $R_1 = R_2$
- $R_1 > R_2$
- $R_1 < R_2$

24) What is the resistance of resistor 2?

- $R_2 = 1.12 \times 10^{-5} \Omega$
- $R_2 = 4.78 \times 10^{-5} \Omega$
- $R_2 = 2.39 \times 10^{-5} \Omega$

**Mechanics:**

$$x = x_0 + v_0 t + \frac{1}{2} a t^2$$

$$v = v_0 + a t$$

$$F = m a$$

$$a_c = \frac{v^2}{r}$$

$$E_{tot} = K.E. + P.E.$$

$$K.E. = \frac{1}{2} m v^2 = \frac{p^2}{2m}$$

$$p = m v$$

$$W_F = F d \cos \theta$$

**Electrostatics:**

$$F_{12} = \frac{k q_1 q_2}{r^2}$$

$$E \equiv \frac{F}{q_0}$$

$$V \equiv \frac{U}{q_0}$$

$$\text{Point charge: } E = \frac{kq}{r^2}, \quad V = \frac{kq}{r}$$

$$U_{12} = \frac{k q_1 q_2}{r}$$

$$W_E = -\Delta U = -W_{you}$$

**Capacitance:**

$$C \equiv \frac{Q}{V}$$

$$\text{Parallel plate capacitor: } C = \frac{\kappa \epsilon_0 A}{d}, \quad V = E d$$

$$U_C = \frac{1}{2} Q V = \frac{1}{2} C V^2 = \frac{1}{2} \frac{Q^2}{C}$$

$$C_P = C_1 + C_2 + \dots$$

$$\frac{1}{C_S} = \frac{1}{C_1} + \frac{1}{C_2} + \dots$$

**Resistance:**

$$R \equiv \frac{V}{I}$$

$$I = \frac{\Delta q}{\Delta t}$$

$$\text{Physical resistance: } R = \rho \frac{L}{A}$$

$$P = I V = I^2 R = \frac{V^2}{R}$$

$$R_S = R_1 + R_2 + \dots$$

$$\frac{1}{R_P} = \frac{1}{R_1} + \frac{1}{R_2} + \dots$$

**Circuits:**

$$\sum \Delta V = 0$$

$$\sum I_{in} = \sum I_{out}$$

$$q(t) = q_\infty (1 - e^{-t/\tau})$$

$$q(t) = q_0 e^{-t/\tau}$$

$$I(t) = I_0 e^{-t/\tau}$$

$$\tau = RC$$

**Magnetism:**

$$F = q v B \sin \theta$$

$$r = \frac{m v}{q B}$$

$$F = I L B \sin \theta$$

$$\tau = N I A B \sin \phi$$

$$B_{wire} = \frac{\mu_0 I}{2 \pi r}$$

$$B_{sol} = \mu_0 n I$$

**Induction and inductance:**

$$\varepsilon = -N \frac{\Delta \Phi}{\Delta t}$$

$$\Phi = B A \cos \phi$$

$$\varepsilon_{bar} = B L v$$

$$\varepsilon_{gen} = \varepsilon_{max} \sin \omega t = \omega N A B \sin \omega t$$

$$\omega = 2 \pi f$$

$$L \equiv \frac{N \Phi}{I}$$

$$\varepsilon = -L \frac{\Delta I}{\Delta t}$$

$$\text{Solenoid inductor: } L = \mu_0 n^2 A \ell$$

$$U_L = \frac{1}{2} L I^2$$

**AC circuits and transformers:**

$$V_{rms} = \frac{V_{max}}{\sqrt{2}} \quad I_{rms} = \frac{I_{max}}{\sqrt{2}} \quad \frac{V_p}{V_s} = \frac{I_s}{I_p} = \frac{N_p}{N_s}$$

$$V_R(t) = V_{R,max} \sin(\omega t) = I_{max} R \sin(\omega t) \quad \omega = 2\pi f$$

$$V_C(t) = V_{C,max} \sin(\omega t - \pi/2) = I_{max} X_C \sin(\omega t - \pi/2) \quad X_C \equiv \frac{1}{\omega C}$$

$$V_L(t) = V_{L,max} \sin(\omega t + \pi/2) = I_{max} X_L \sin(\omega t + \pi/2) \quad X_L \equiv \omega L$$

$$V_{gen}(t) = V_{gen,max} \sin(\omega t + \phi) = I_{max} Z \sin(\omega t + \phi) \quad Z \equiv \sqrt{R^2 + (X_L - X_C)^2} \quad \tan \phi = \frac{X_L - X_C}{R}$$

$$\bar{P} = I_{rms} V_{R,rms} = I_{rms} V_{gen,rms} \cos \phi \quad f_0 = \frac{1}{2\pi\sqrt{LC}}$$

**Electromagnetic waves:**

$$\lambda = \frac{c}{f} \quad E = cB$$

$$u_E = \frac{1}{2} \epsilon_0 E^2 \quad u_B = \frac{1}{2\mu_0} B^2 \quad \bar{u} = \frac{1}{2} \epsilon_0 E_{rms}^2 + \frac{1}{2\mu_0} B_{rms}^2 = \epsilon_0 E_{rms}^2 = \frac{B_{rms}^2}{\mu_0} \quad S = I = \bar{u}c$$

$$f' = f \left( 1 \pm \frac{u}{c} \right) \quad I = I_0 \cos^2 \theta$$

**Reflection and refraction:**

$$\theta_r = \theta_i \quad \frac{1}{d_o} + \frac{1}{d_i} = \frac{1}{f} \quad f = \pm \frac{R}{2} \quad m = \frac{h_i}{h_o} = -\frac{d_i}{d_o}$$

$$n_1 \sin \theta_1 = n_2 \sin \theta_2 \quad v = \frac{c}{n} \quad \sin \theta_c = \frac{n_2}{n_1} \quad M = \frac{\theta'}{\theta} \approx \frac{d_{near}}{f}$$

**Interference and diffraction:**

Double slit interference:  $d \sin \theta = m\lambda$   $d \sin \theta = (m + \frac{1}{2})\lambda$   $m = 0, \pm 1, \pm 2 \dots$

Single-slit diffraction:  $w \sin \theta = m\lambda$   $m = \pm 1, \pm 2 \dots$

Circular aperture:  $D \sin \theta \approx 1.22\lambda$

Thin film:  $\delta_1 = (0 \text{ or } \frac{1}{2})\lambda$   $\delta_2 = (0 \text{ or } \frac{1}{2})\lambda + 2t \frac{n_{film}}{\lambda_0}$   $|\delta_2 - \delta_1| = (m \text{ or } m + \frac{1}{2})\lambda$   $m = 0, 1, 2 \dots$

**Quantum mechanics:**

$$E = hf = \frac{hc}{\lambda} \quad \lambda = \frac{h}{p}$$

Blackbody radiation:  $\lambda_{max} T = 2.898 \times 10^{-3} \text{ m} \cdot \text{K}$  Photoelectric effect:  $K.E. = hf - W_0$

$$\Delta p_x \Delta x \geq \frac{\hbar}{2} \quad \hbar \equiv \frac{h}{2\pi}$$

Bohr atom:  $2\pi r_n = n\lambda$   $n = 1, 2, 3 \dots$   $L_n = m v_n r_n = n\hbar$

$$r_n = \left( \frac{\hbar^2}{mke^2} \right) \frac{n^2}{Z} \approx (5.29 \times 10^{-11} \text{ m}) \frac{n^2}{Z}$$

$$\frac{1}{\lambda} \approx (1.097 \times 10^7 \text{ m}^{-1}) Z^2 \left( \frac{1}{n_f^2} - \frac{1}{n_i^2} \right)$$

Quantum atom:  $L = \sqrt{\ell(\ell+1)}\hbar$

$$E_n = - \left( \frac{mk^2e^4}{2\hbar^2} \right) \frac{Z^2}{n^2} \approx -(13.6 \text{ eV}) \frac{Z^2}{n^2}$$

$$L_z = m_\ell \hbar$$

### Nuclear physics and radioactive decay:

$$A = Z + N$$

$$r \approx (1.2 \times 10^{-15} \text{ m}) A^{1/3}$$

$$E_0 = mc^2$$

$$\frac{\Delta N}{\Delta t} = -\lambda N$$

$$N(t) = N_0 e^{-\lambda t} = N_0 2^{-t/T_{1/2}}$$

$$T_{1/2} \equiv \frac{\ln 2}{\lambda} \approx \frac{0.693}{\lambda}$$

### Special relativity:

$$\Delta t = \gamma \Delta t_0$$

$$L = \frac{L_0}{\gamma}$$

$$\gamma \equiv \frac{1}{\sqrt{1 - \frac{v^2}{c^2}}}$$

### Constants and unit conversions:

$$g = 9.8 \text{ m/s}^2$$

$$e = 1.60 \times 10^{-19} \text{ C}$$

$$\epsilon_0 = 8.85 \times 10^{-12} \text{ C}^2 / \text{Nm}^2$$

$$k \equiv \frac{1}{4\pi\epsilon_0} = 8.99 \times 10^9 \text{ Nm}^2 / \text{C}^2$$

$$\mu_0 = 4\pi \times 10^{-7} \text{ T} \cdot \text{m} / \text{A}$$

$$c = \frac{1}{\sqrt{\epsilon_0 \mu_0}} = 3 \times 10^8 \text{ m/s}$$

$$h = 6.626 \times 10^{-34} \text{ J} \cdot \text{s}$$

$$hc = 1240 \text{ nm} \cdot \text{eV}$$

$$1 \text{ eV} = 1.60 \times 10^{-19} \text{ J}$$

$$m_{\text{proton}} = 1.67 \times 10^{-27} \text{ kg} = 938 \text{ MeV}$$

$$m_{\text{electron}} = 9.11 \times 10^{-31} \text{ kg} = 511 \text{ keV}$$

SI Prefixes		
Power	Prefix	Symbol
$10^9$	giga	G
$10^6$	mega	M
$10^3$	kilo	k
$10^0$	—	—
$10^{-3}$	milli	m
$10^{-6}$	micro	$\mu$
$10^{-9}$	nano	n
$10^{-12}$	pico	p

Physics 102 Exam 1 --  
Spring 2014

1. d
2. a
3. c
4. c
5. e
6. c
7. b
8. c
9. b
10. c
11. b
12. b
13. a
14. d
15. a
16. cd
17. a
18. c
19. b
20. a
21. d
22. a
23. b
24. a