

Last Name: \_\_\_\_\_ First Name \_\_\_\_\_ NetID \_\_\_\_\_  
Discussion Section: \_\_\_\_\_ Discussion TA Name: \_\_\_\_\_

*Instructions—*

**Turn off your cell phone and put it away.**

**Keep your calculator on your own desk. Calculators may not be shared.**

**This is a closed book exam. You have ninety (90) minutes to complete it.**

1. Use a #2 pencil; do **not** use a mechanical pencil or a pen. Fill in completely (until there is no white space visible) the circle for each intended input – both on the identification side of your answer sheet and on the side on which you mark your answers. If you decide to change an answer, erase vigorously; the scanner sometimes registers incompletely erased marks as intended answers; this can adversely affect your grade. Light marks or marks extending outside the circle may be read improperly by the scanner.
2. Print your last name in the **YOUR LAST NAME** boxes on your answer sheet and print the first letter of your first name in the **FIRST NAME INI** box. Mark (as described above) the corresponding circle below each of these letters.
3. Print your NetID in the **NETWORK ID** boxes, and then mark the corresponding circle below each of the letters or numerals. Note that there are different circles for the letter “I” and the numeral “1” and for the letter “O” and the numeral “0”. **Do not** mark the hyphen circle at the bottom of any of these columns.
4. **This Exam Booklet is Version A.** Mark the **A** circle in the **TEST FORM** box at the bottom of the front side of your answer sheet.
5. Stop **now** and double-check that you have bubbled-in all the information requested in 2 through 4 above and that your marks meet the criteria in 1 above. Check that you do not have more than one circle marked in any of the columns.
6. Do **not** write in or mark any of the circles in the STUDENT NUMBER or SECTION boxes.
7. On the **SECTION line**, print your **DISCUSSION SECTION**. (You need not fill in the COURSE or INSTRUCTOR lines.)
8. Sign (**DO NOT PRINT**) your name on the **STUDENT SIGNATURE line**.

*Before starting work, check to make sure that your test booklet is complete. You should have 12 **numbered pages** plus two *Formula Sheets* at the end.*

**Academic Integrity—Giving assistance to or receiving assistance from another student or using unauthorized materials during a University Examination can be grounds for disciplinary action, up to and including expulsion.**

*Exam Grading Policy—*

The exam is worth a total of xxx points, composed of two types of questions.

**MC5:** *multiple-choice-five-answer questions, each worth 6 points.*

**Partial credit will be granted as follows.**

- (a) If you mark only one answer and it is the correct answer, you earn **6** points.
- (b) If you mark *two* answers, one of which is the correct answer, you earn **3** points.
- (c) If you mark *three* answers, one of which is the correct answer, you earn **2** points.
- (d) If you mark no answers, or more than *three*, you earn **0** points.

**MC3:** *multiple-choice-three-answer questions, each worth 3 points.*

**No partial credit.**

- (a) If you mark only one answer and it is the correct answer, you earn **3** points.
- (b) If you mark a wrong answer or no answers, you earn **0** points.

*The next two questions pertain to the following situation:*

1. A laser light beam (the wavelength is 500 nm) hits a screen with three parallel slits with equal spacing of 30 microns between them. Some photons pass through the slits and travel to an imaging screen, which is 2 m away. At which angle is the first secondary maximum observed?

- a. 0.004 rad
- b. 0.008 rad
- c. 0.012 rad

2. What is the intensity at this secondary maximum, if the intensity obtained with just one slit is  $I$ ? Assume the slits are so narrow that the diffraction effects can be neglected. (Hint: draw phasors.)

- a.  $I$
- b.  $2I$
- c.  $4I$
- d.  $I/2$
- e.  $I/3$

3. Two waves

$$y = A \cos(200t - 10x - \pi/4)$$

$$y = A \cos(200t - 10x + \pi/4)$$

are superposed. What is the resulting wave?

- a.  $2A \cos(200t - 10x + \pi/8)$
- b.  $\sqrt{2} A \cos(200t - 10x + \pi/8)$
- c.  $\sqrt{2} A \cos(200t - 10x)$
- d.  $1.85 A \cos(200t - 10x + \pi/4)$
- e. none of these

***The next two questions pertain to the following situation:***

4. What is the wavelength of a photon which has energy barely sufficient to extract one electron from a metal with a work function of 5 eV.

- a. 250 nanometers
- b. 415 nanometers
- c. 310 nanometers

5. We now send in 200-nm light (i.e., each photon has more than enough energy to liberate an electron). If we decrease the intensity  $I$  of the light, what will happen to the current of the emitted electrons?

- a. The current will decrease as  $\sqrt{I}$ .
- b. The current will decrease as  $I$ .
- c. The current will stay the same, it does not depend on the intensity of the incident light.

***The next two questions pertain to the following situation:***

6. A spectrometer is used to analyze the light coming from a distant source. The spectrometer has a 6-mm wide diffraction grating with 2000 lines. The light is normally incident on the grating and illuminates the whole grating. The third-order principle maximum is observed at an angle of  $50^\circ$  from normal incidence. What is the wavelength of the light coming from the source?

- a. 192 nm
- b. 354 nm
- c. 383 nm
- d. 766 nm
- e. 873 nm

7. Suppose the correct answer to the previous problem were 650 nm. The source is moving away from the observer so its color is Doppler shifted to the red side of the spectrum. What is the smallest wavelength change that could be detected using this spectrometer, assuming that now only half of the number of lines is illuminated? (Hint: what is the highest order that can be used?)

- a.  $\Delta\lambda=77$  nm
- b.  $\Delta\lambda=0.5$  nm
- c.  $\Delta\lambda=0.16$  nm

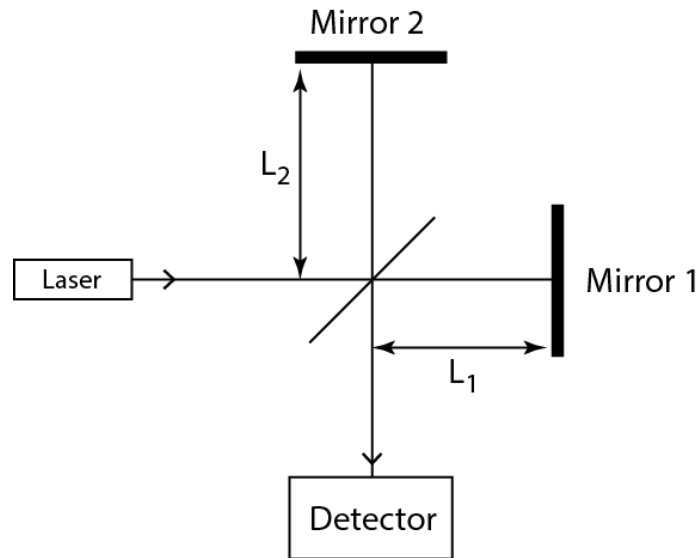
8. An array of three identical loudspeakers separated by distances  $d$  is arranged as pictured. A receiver is placed at position R far from the array. The emitters radiate waves of frequency 1 kHz with the same individual intensity at R. The sound speed in this air is 340 m/s. All the loudspeakers are driven with the same phase.



What is the minimum distance  $d$  such that the intensity at R is zero? (Hint: draw phasor diagram.)

- a.  $d = 0.34$  m
- b.  $d = 0.68$  m
- c.  $d = 0.17$  m
- d.  $d = 0.11$  m
- e. none of these

*The next three questions pertain to the following situation:*



A Michelson interferometer operating in vacuum is set up such that the difference in arm lengths is  $L_2 - L_1 = \lambda/8$ , where  $\lambda$  is the wavelength of the laser. Here  $L_1$  ( $L_2$ ) is the separation between the beam splitter and mirror 1 (2). The laser intensity is  $I_0$ .

9. What is the intensity at the detector?

- a.  $I = I_0$
- b.  $I = I_0/4$
- c.  $I = I_0/2$

10. Now suppose we insert a thin transparent slab of thickness  $\delta x \ll \lambda$  and index of refraction  $n = 1.1$  into arm 2 of the interferometer. How does the intensity change? Note,  $L_2 > L_1$ . (Hint: it may help you to sketch  $I(L_2)$ .)

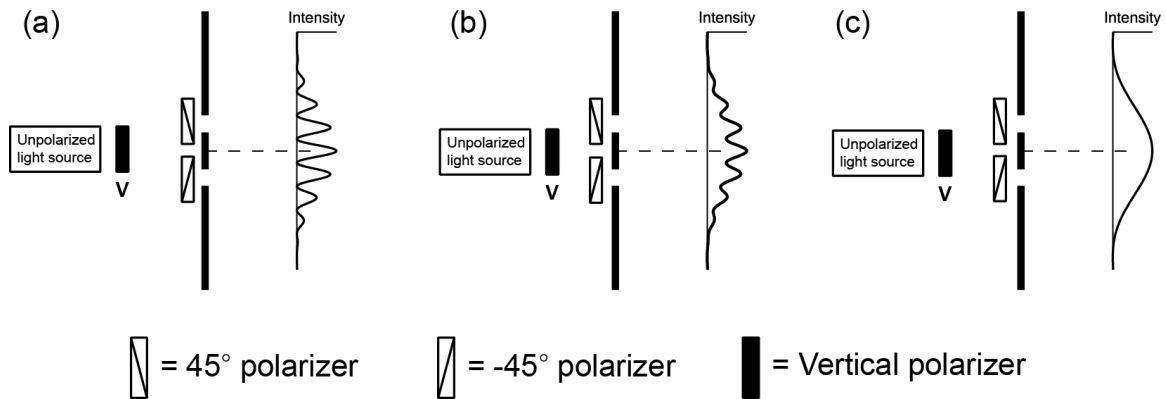
- a. increases
- b. decreases
- c. stays the same

11. If we want to make the intensity at the detector equal to the case in which the slab was absent, how much do we need to move mirror 1 relative to its initial position?

- a.  $2\delta x$  (to the right)
- b.  $n\delta x$  (to the right)
- c.  $\delta x$  (to the left)
- d.  $(n-1)\delta x$  (to the right)
- e.  $(n-1)\delta x$  (to the left)

*The next two questions pertain to the following situation:*

Two slits are illuminated by vertically polarized photons. A  $45^\circ$  polarizer is placed in front of the upper slit and a  $-45^\circ$  polarizer is placed in front of the lower slit.



12. Which of the figures shown above best illustrates the intensity pattern built up on the screen? Note the intensity scale for the various choices need not be the same.

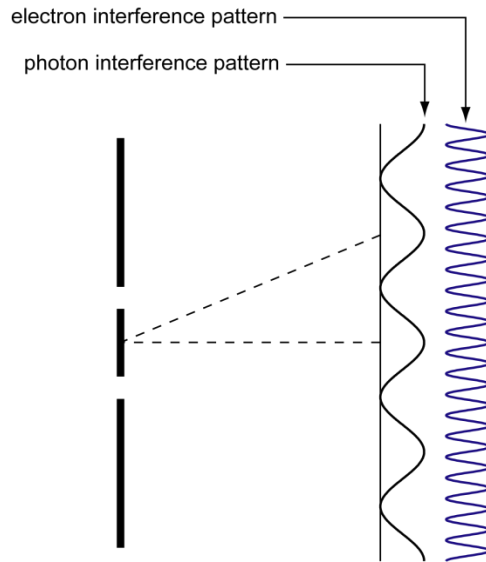
- 
- 
- 

13. Which of the following would recover the usual 2-slit intensity pattern observed with no polarizers in front of the slits?

- There already is such a pattern, i.e., nothing new needs to be added.
- Add a vertical polarizer in front of the viewing screen.
- Rapidly and randomly switch between a  $+45^\circ$  and a  $-45^\circ$  polarizer in front of the screen.
- b or c would both work.
- none of the above.

*The next two questions pertain to the following situation:*

Two slits are illuminated with 5-eV photons as well as monochromatic electrons accelerated to 0.247 eV. The interference pattern produced by the photons and electrons are viewed simultaneously on a screen located a distance  $L$  from the slits. Note that the patterns are not drawn to the same scale as each other.



14. Calculate the number of interference maxima produced by the electrons that lie between the  $m=0$  and  $m=1$  maxima of the interference pattern produced by the photons.

- a. 1
- b. 4
- c. 20
- d. 100
- e. 420



15. You would like to image a binary star system using an optical telescope. The two stars have an angular separation of  $4.23 \times 10^{-7}$  rad. The telescope uses a lens with a diameter of 1.7 m and a filter to select a particular range of wavelengths. What is the longest wavelength light for which the two stars can be clearly resolved?

- a. There is no “longest wavelength”—the larger the wavelength, the better the resolution.
- b. 515 nm
- c. 550 nm
- d. 585 nm
- e. 620 nm

16. An electron microscope uses 2 keV electrons for imaging. The diameter of the electrostatic lens is 5 cm with a focal length of 50 cm. What is the diffraction limited resolution of this instrument? The resolution is defined as the minimum distance between two points on the surface that can be clearly resolved.

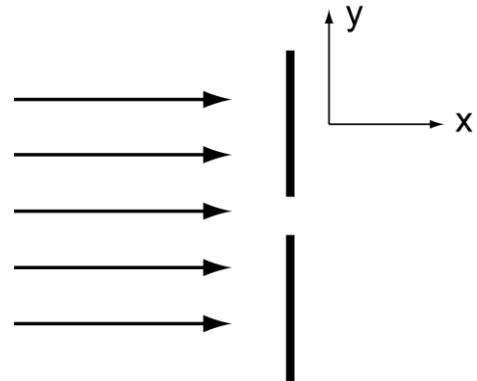
- a. 0.027 nm
- b. 0.33 nm
- c. 1.45 nm
- d. 3.22 nm
- e. 4.76 nm

17. A solar sail is a device that uses the light from the sun to accelerate a spacecraft. This type of propulsion system relies on the momentum exchange between photons and a large sail attached to the craft. Assuming the sail is  $10 \times 10 \text{ m}^2$  in area and the power from the sun is  $500 \text{ W/m}^2$ , estimate the change in momentum of the spacecraft after 30 days. In your estimate, assume that the light from the sun is always normally incident on the sail, and that the photons are completely absorbed by the sail (in practice, a reflective sail would give an extra factor of 2 enhancement). Hint: Solve symbolically first.

- a.  $\Delta p = 236 \text{ kg m/s}$
- b.  $\Delta p = 432 \text{ kg m/s}$
- c.  $\Delta p = 578 \text{ kg m/s}$
- d.  $\Delta p = 699 \text{ kg m/s}$
- e.  $\Delta p = 1023 \text{ kg m/s}$

18. Electrons are accelerated to 150 eV and made incident on an aperture with a 10-nm diameter. Estimate the minimum range of transverse (y-component) velocities that the electrons possess after passing through the aperture.

- $1 \times 10^6$  m/s
- $1 \times 10^5$  m/s
- $1 \times 10^4$  m/s
- $1 \times 10^3$  m/s
- 0 (any electrons that actually pass through the opening do not acquire any transverse momentum.)

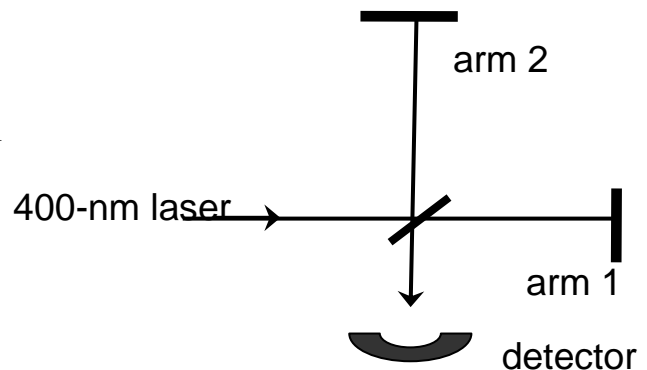


*The next two questions are related.*

A blue laser (400 nm) is directed into a Michelson interferometer, initially with equal path lengths (each arm is 1-m long), so that all the light exits via the bottom port.

19. Which of the following displacements  $\delta x$  of the right mirror will cause *none* of the light to come out the bottom? Hint: Sketch  $I(\delta x)$ .

- 200 nm
- 300 nm
- 400 nm
- 150 nm
- 800 nm

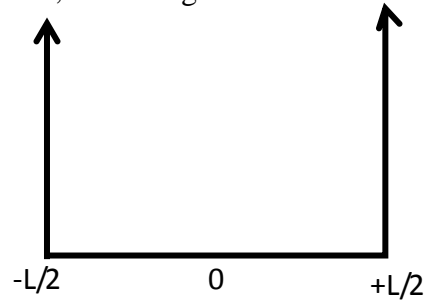


20. Consider that we start in the condition that no light is coming out the bottom. As we now decrease the reflectivity of the right mirror, what will happen to the intensity on the detector?

- The intensity will decrease as the reflectivity decreases.
- The intensity will increase as the reflectivity decreases.
- The intensity will remain unchanged as the reflectivity decreases.

***The next six questions are related.***

Consider an electron in an infinite square well, as shown here, extending from  $x = -L/2$  to  $x = +L/2$  (i.e., of width  $L$ ).



21. Which of the following describes the ground state wavefunction of the electron inside the well? Hint: *draw the wavefunction.*

- a.  $\sqrt{\frac{2}{L}} \sin\left(\frac{\rho}{L}x\right)$
- b.  $\sqrt{\frac{2}{L}} \sin\left(\frac{2\rho}{L}x\right)$
- c.  $\sqrt{\frac{2}{L}} \cos\left(\frac{\rho}{L}x\right)$

22. What wavelength of photon could excite the electron from the ground state ( $n = 1$ ) to the *second* excited state, assuming the *total width* of the well is 3 nm?

- a. 30,000 nm
- b. 3700 nm
- c. 3300 nm
- d. Either b or c would work.
- e. None of the above

23. (How) would the answer to the previous question change if the electron were replaced by a muon (same charge  $-|e|$ , but  $m_\mu = 209 m_e$ )? The wavelength of the exciting photon would.

- a. increase.
- b. decrease.
- c. stay the same.

24. Let  $P(\text{"center"})$  be the probability that the electron is found between  $x = -L/10$  and  $x = +L/10$ . Compare  $P(\text{"center"})$  if the particle is in the ground, excited, or second excited states. Hint: sketch the solutions carefully.

- a.  $P(\text{"center"})_{\text{ground}} > P(\text{"center"})_{\text{excited}} > P(\text{"center"})_{2\text{nd excited}}$
- b.  $P(\text{"center"})_{\text{ground}} > P(\text{"center"})_{2\text{nd excited}} > P(\text{"center"})_{\text{excited}}$
- c.  $P(\text{"center"})_{\text{ground}} = P(\text{"center"})_{2\text{nd excited}} > P(\text{"center"})_{\text{excited}}$
- d.  $P(\text{"center"})_{\text{ground}} < P(\text{"center"})_{\text{excited}} < P(\text{"center"})_{2\text{nd excited}}$
- e.  $P(\text{"center"})_{\text{ground}} < P(\text{"center"})_{2\text{nd excited}} < P(\text{"center"})_{\text{excited}}$

25. If we lower the walls so this is now a finite square-well potential (still of width  $L$ ), how is  $P(\text{"center"})$  affected if the particle is still in the ground state?

- a.  $P(\text{"center"})$  increases
- b.  $P(\text{"center"})$  decreases
- c.  $P(\text{"center"})$  increases stays the same.

26. Let the electron initially be in the ground state of the well. If we perform a measurement and localize the wavefunction of the electron in the region  $x = -L/10$  and  $x = +L/10$ , what might we say about the energy of the electron after the measurement?

- a. It likely has a higher energy than it did before the measurement.
- b. It likely has a lower energy than it did before the measurement.
- c. It definitely has the same energy as it did before the measurement.