

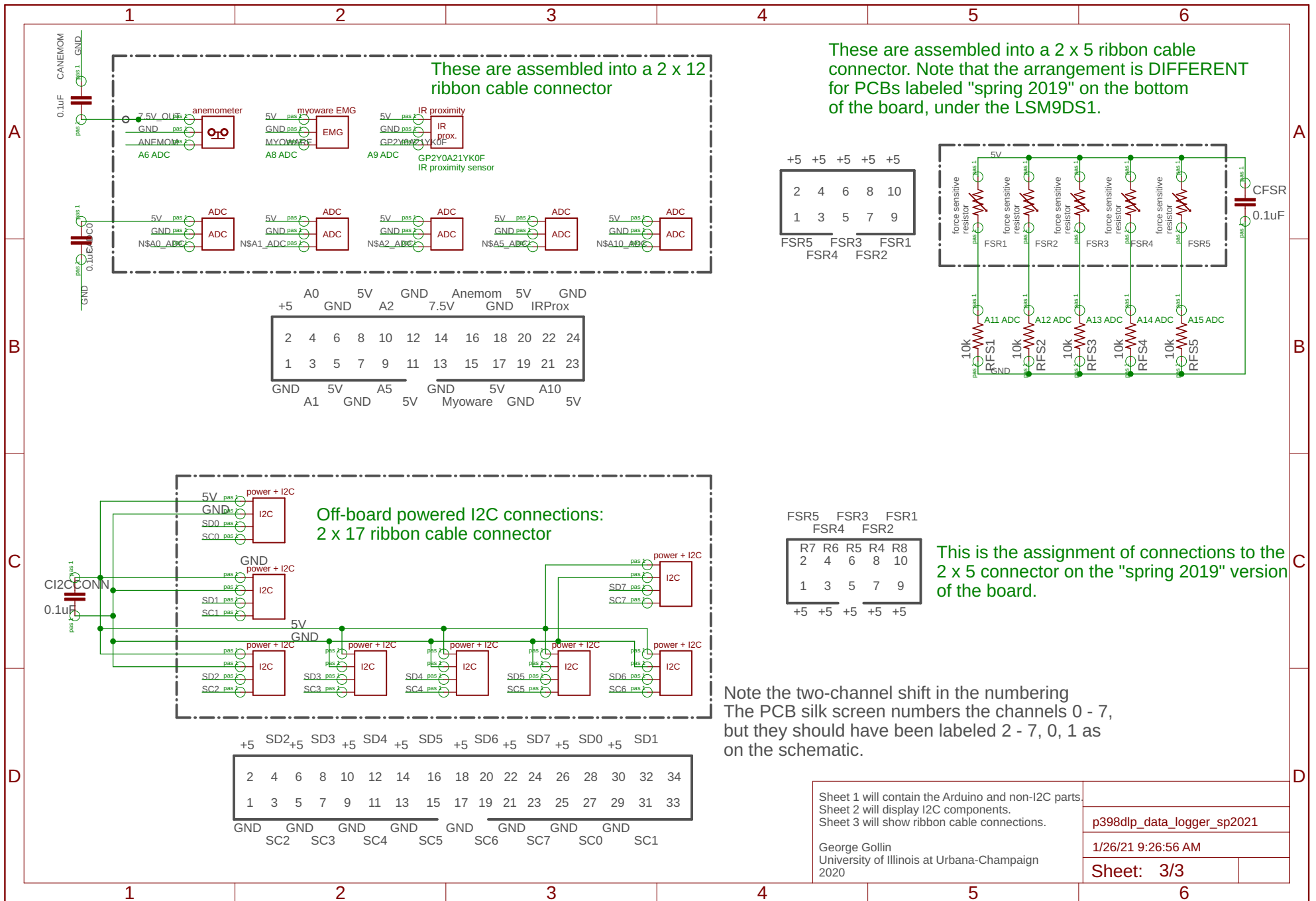
Sheet 1 will contain the Arduino and non-I2C parts.  
 Sheet 2 will display I2C components.  
 Sheet 3 will show ribbon cable connections.

George Gollin  
 University of Illinois at Urbana-Champaign  
 2020

p398dlp\_data\_logger\_sp2021

1/26/21 9:26:56 AM

Sheet: 2/3



Sheet 1 will contain the Arduino and non-I2C parts.  
 Sheet 2 will display I2C components.  
 Sheet 3 will show ribbon cable connections.

George Gollin  
 University of Illinois at Urbana-Champaign  
 2020

p398dlp\_data\_logger\_sp2021  
 1/26/21 9:26:56 AM  
 Sheet: 3/3