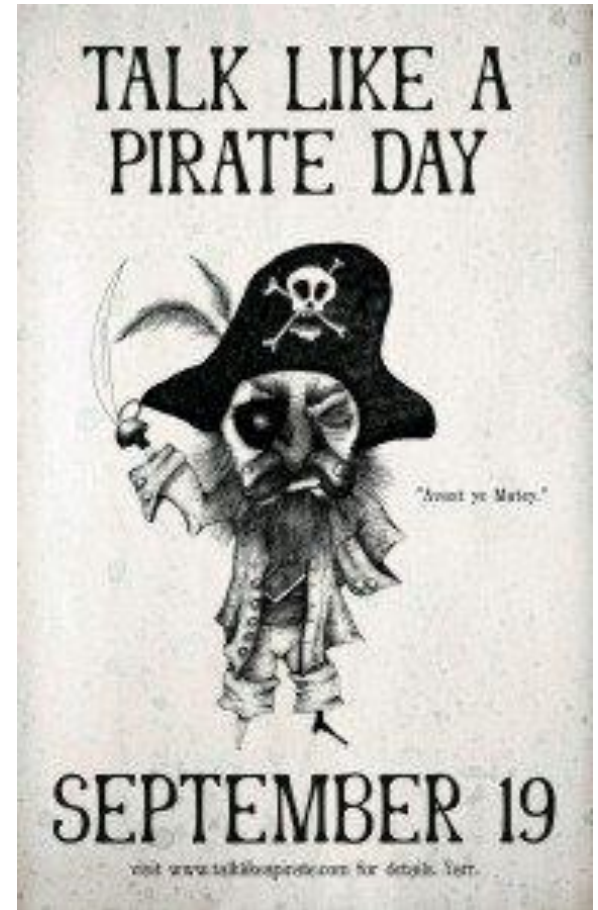


Announcements

- Quiz next week
- Have you been on Piazza lately?

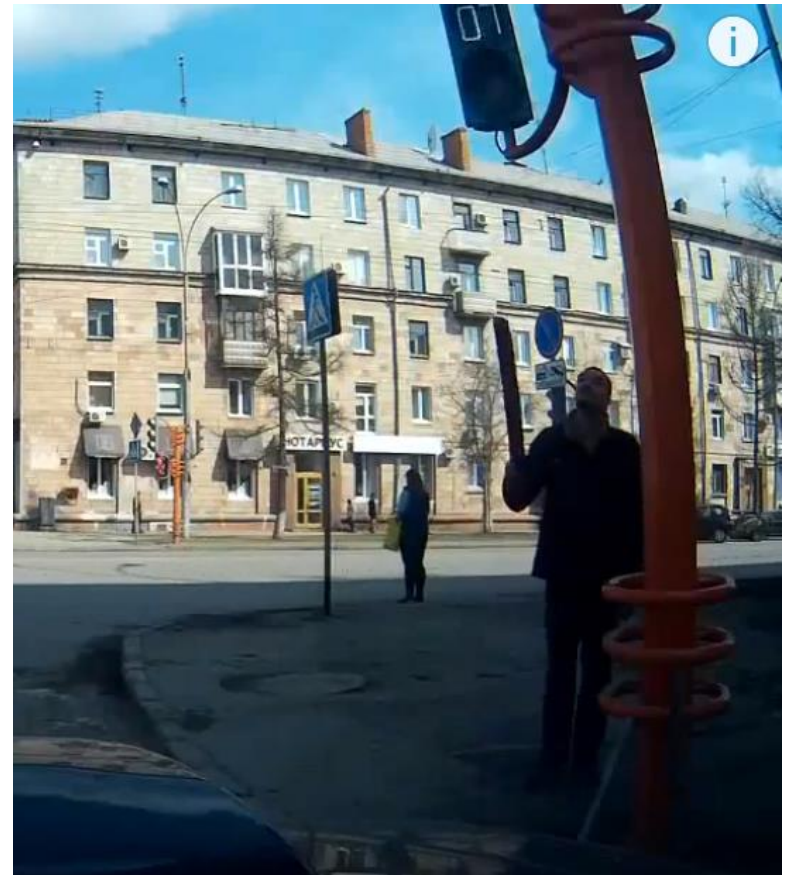
☐ Upcoming deadlines:

- Friday (9/21)
 - Writing Assignment
- Tuesday (9/25)
 - PL HW



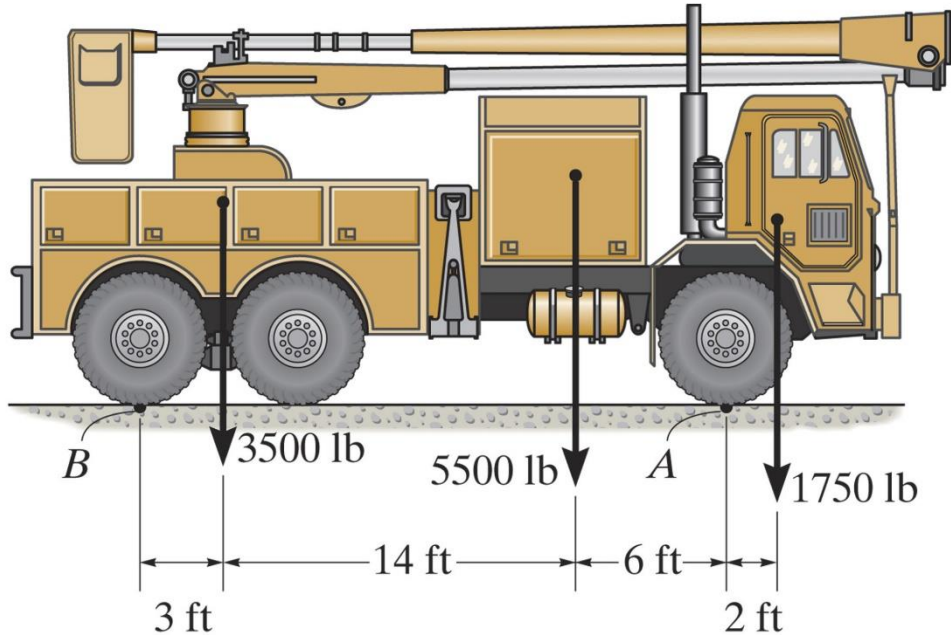
Objective

- Equivalent System



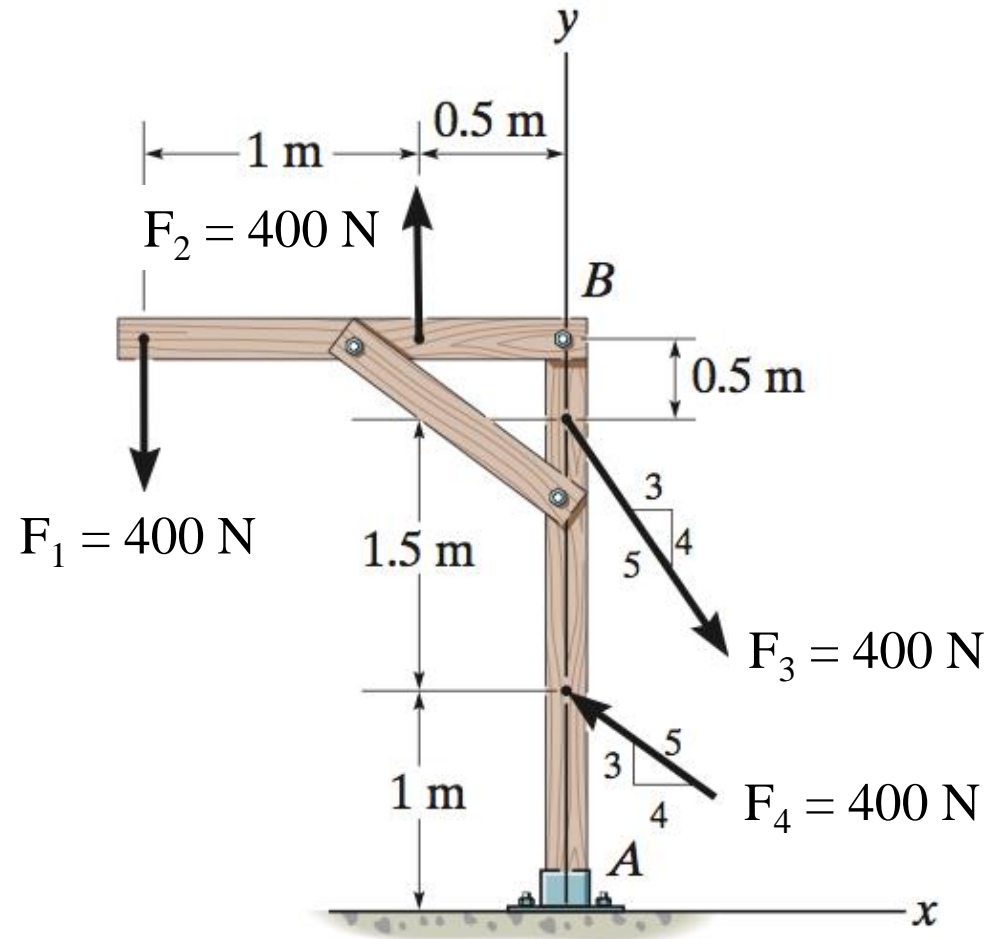
Example – 2D Equivalent System

Replace weights of the components of the truck with a single equivalent weight and specify its location measured from *A*.



Example – 2D Equivalent System

Replace the loading on the frame by a single resultant force. Specify where its line of action intersects a vertical line along member AB , measured from A .



Example – 3D Equivalent System

Find the equivalent resultant force and couple moment at point O as the the two wrenches and the force acting on the pipe assembly below.

