

Announcements

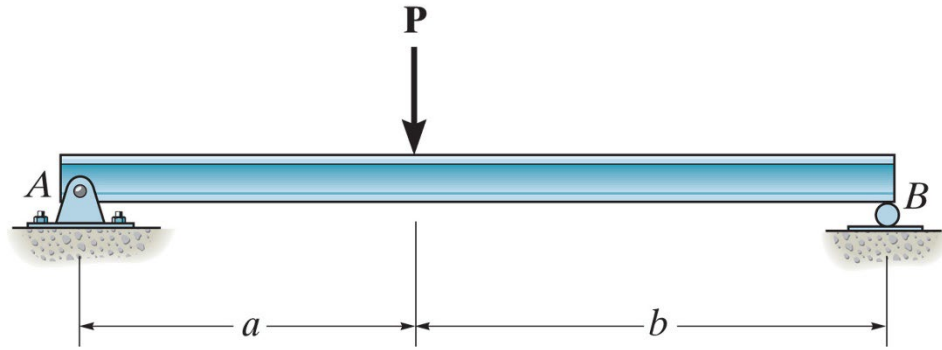
- In-class Written Quiz 4 – Friday, October 26
- New PL HW due dates – check course schedule website

□ Upcoming deadlines:

- Thursday (10/25)
 - PL HW

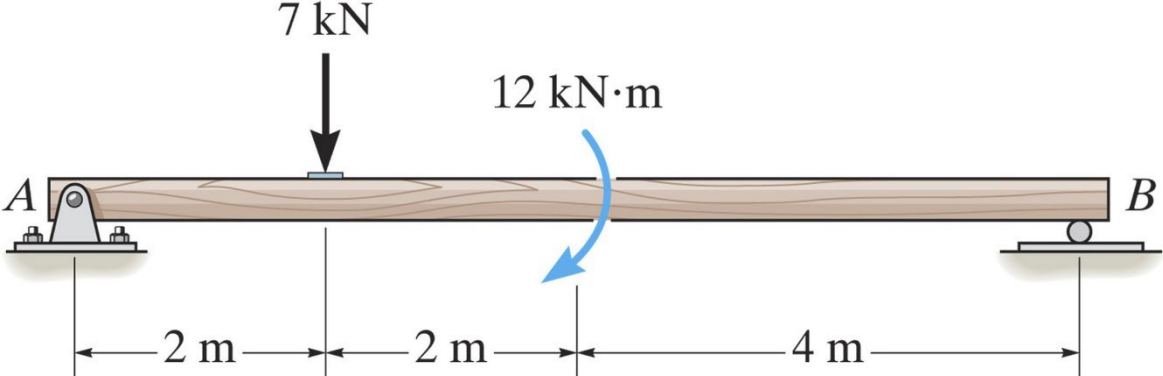


Objective: Shear and Moment Diagram



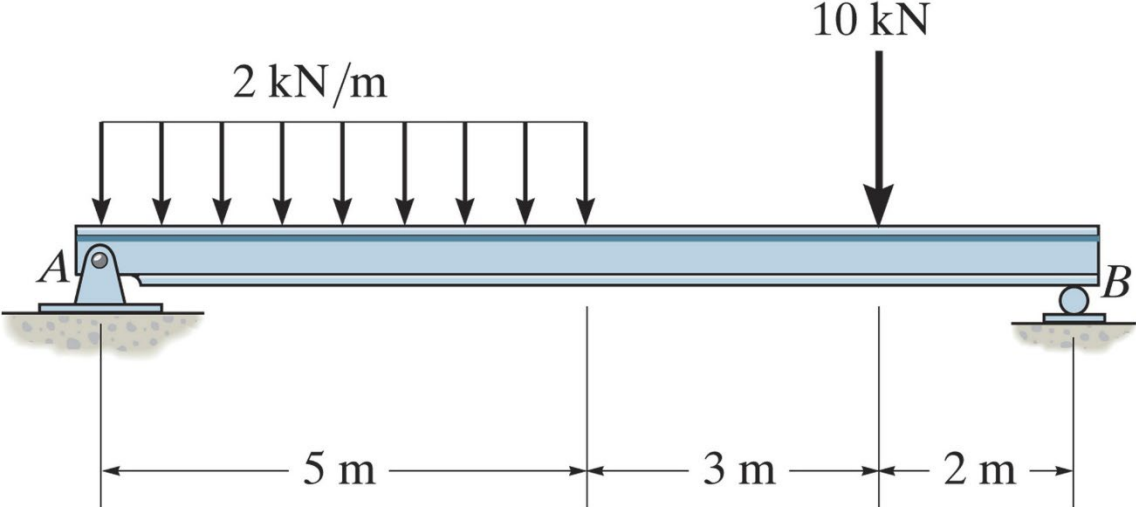
Shear and Moment Diagram

Draw the shear and moment diagrams for the beam.



Shear and Moment Diagram

Draw the shear and moment diagrams for the beam.



Relationships between w , V , M

Draw the shear and moment diagrams for the beam.

